

STIHL

STIHL FS 131, 131 R

Instruction Manual
Notice d'emploi



Ⓞ **Instruction Manual**
1 - 45

Ⓞ **Notice d'emploi**
46 - 96

Contents

Guide to Using this Manual	2	Specifications	42
Safety Precautions and Working Techniques	2	Maintenance and Repairs	43
Approved Combinations of Cutting Attachment, Deflector, Handle and Harness	12	Disposal	43
Approved Power Tool Attachments	14	STIHL Limited Emission Control Warranty Statement	44
Mounting the Bike Handle	14		
Mounting the Loop Handle	16		
Adjusting the Throttle Cable	17		
Fitting the Carrying Ring	18		
Mounting the deflector	18		
Mounting the Cutting Attachment	19		
Fuel	22		
Fueling	23		
Fitting the Harness	24		
Balancing the Machine	25		
Starting / Stopping the Engine	26		
Transporting the Unit	28		
Operating Instructions	31		
Replacing the Air Filter	31		
Engine Management	31		
Adjusting the Carburetor	32		
Spark Arresting Screen in Muffler	32		
Spark Plug	33		
Engine Running Behavior	34		
Lubricating the Gearbox	34		
Storing the Machine	34		
Sharpening Metal Cutting Blades	35		
Maintaining the Mowing Head	35		
Maintenance and Care	37		
Main Parts	39		

Dear Customer,

Thank you for choosing a quality engineered STIHL product.

It has been built using modern production techniques and comprehensive quality assurance. Every effort has been made to ensure your satisfaction and trouble-free use of the product.

Please contact your dealer or our sales company if you have any queries concerning this product.

Your



Dr. Nikolas Stihl

STIHL

This instruction manual is protected by copyright. All rights reserved, especially the rights to reproduce, translate and process with electronic systems.

Guide to Using this Manual

Pictograms

The meanings of the pictograms attached to the machine are explained in this manual.

Depending on the model concerned, the following pictograms may be attached to your machine.



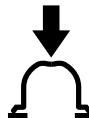
Fuel tank; fuel mixture of gasoline and engine oil



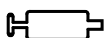
Operate decompression valve



Manual fuel pump



Operate manual fuel pump



Tube of grease



Intake air: Summer operation



Intake air: Winter operation



Handle heating

Symbols in text



WARNING

Warning where there is a risk of an accident or personal injury or serious damage to property.



NOTICE

Caution where there is a risk of damaging the machine or its individual components.

Engineering improvements

STIHL's philosophy is to continually improve all of its products. For this reason we may modify the design, engineering and appearance of our products periodically.

Therefore, some changes, modifications and improvements may not be covered in this manual.

Safety Precautions and Working Techniques



Because the machine is a high-speed fast-cutting power tool, special safety precautions must be observed to reduce the risk of personal injury.



It is important that you read and understand the User Manual before commissioning and keep it in a safe place for future reference. Non-compliance with the User Manual may cause serious or even fatal injury.

Observe all applicable local safety regulations, e.g. by trade organizations, social insurance institutions, labor safety authorities etc.

If you have never used a power tool before: Have your dealer or other experienced user show you how to operate your machine – or attend a special course to learn how to operate it.

Minors should never be allowed to use the machine – except for apprentices over the age of 16 when working under supervision.

Children, animals and bystanders must remain at a distance.

When not using the machine, it must be laid down in such a way that it does not endanger anyone. Ensure that the machine cannot be used without authorization.

The user is responsible for accidents or risks involving third parties or their property.

Do not lend or rent your power tool without the User Manual. Be sure that anyone using it understands the information contained in this manual.

The use of machines that emit noise may be limited to certain hours of the day as specified by national and/or regional or local regulations.

Anyone operating the machine must be well rested, in good physical health and in good mental condition.

If you have any condition that might be aggravated by strenuous work, check with your doctor before operating a machine.

If you have a pacemaker: The ignition system of your machine produces an electromagnetic field of very low intensity. This field may interfere with some pacemakers. STIHL recommends that persons with pacemakers consult their physician and the pacemaker manufacturer to reduce any health risk.

Anyone who has consumed alcohol or drugs or medicines affecting their ability to react must not operate a power tool.

Depending on the cutting attachment fitted, use your power tool only for cutting grass, wild growth, shrubs, scrub, bushes, small diameter trees and similar materials.

The machine must not be used for any other purposes – **risk of accidents!**

Only use cutting attachments and accessories that are explicitly approved for this power tool model by STIHL or are technically identical. If you have any

questions in this respect, consult your dealer. Use only high quality parts and accessories. In order to avoid the risk of accidents and damage to the machine.

STIHL recommends the use of original STIHL tools and accessories. They are specifically designed to match the product and meet your performance requirements.

Never attempt to modify your power tool in any way since this may increase the risk of personal injury. STIHL excludes all liability for personal injury and damage to property caused while using unauthorized attachments.

Do not use a high-pressure washer to clean the power tool. The solid jet of water may damage parts of the unit.

The guard provided with your machine may not protect the operator from all foreign objects (gravel, glass, wire etc.) ejected by the revolving cutting attachment. Ejected objects may also ricochet and strike the operator.

Clothing and equipment

Wear proper protective clothing and equipment.



Clothing must be sturdy but allow complete freedom of movement. Wear close-fitting clothes such as a boiler suit, not a loose jacket.



Do not wear clothing which could become trapped in wood, brush or moving parts of the machine. Do not wear a scarf, necktie or jewelry. Tie up and confine long hair above your shoulders.



Wear safety boots with steel toe caps and non-slip soles.

Sturdy shoes with non-slip soles are permissible only when using mowing heads.

! WARNING



To reduce the risk of eye injuries, wear close-fitting safety glasses in accordance with European Standard EN 166. Make sure the safety glasses are a snug fit.

Wear face protection and make sure it is a good fit. Face protection alone is not sufficient to protect the eyes.

Wear "personal" sound protection, e.g. ear defenders.

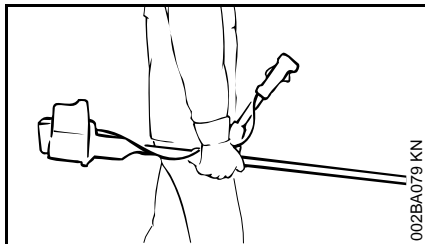
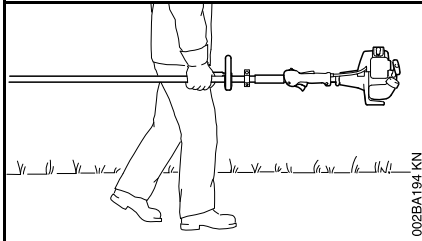
Wear a safety hard hat for thinning operations, when working in high scrub and where there is a danger of head injuries from falling objects.



Wear sturdy protective gloves made of a resistant material (e. g. leather).

STIHL can supply a comprehensive range of personal protective equipment.

Transporting the machine



Always stop the engine.

Carry the machine hanging on the harness or by the shaft so that it is balanced.

To reduce the risk of cut injuries, fit transport guard on the cutting attachment, even when carrying the tool for short distances – see also "Transporting the Unit".



Avoid touching hot parts of the machine and gear-box – **risk of burns!**

By vehicle: When transporting in a vehicle, properly secure your machine to prevent turnover, damage and fuel spillage.

Refueling



Gasoline is an extremely flammable fuel. Keep clear of naked flames. Do not spill any fuel – do not smoke.

Always shut off the engine before refueling.

Do not fuel a hot engine – **fuel may spill and cause a fire.**

Open the fuel cap carefully to allow any pressure build-up in the tank to release slowly and avoid fuel spillage.

Only refuel the machine in a well ventilated place. If fuel has been spilled, immediately clean the machine – do not allow your clothes to be splashed with fuel. If that happens, change your clothes at once.



After refueling, close the fuel cap as tightly as possible.

This helps reduce the risk of unit vibrations causing an incorrectly tightened fuel cap to loosen or come off and spill quantities of fuel.

Check for leaks. Do not start the engine if there is a fuel leak – **serious or fatal burns could result!**

Before starting

Check that your power tool is properly assembled and in good condition – refer to appropriate chapters in the User Manual.

- Check the fuel system for leaks, especially the visible parts, e. g., fuel cap, hose connections, manual fuel pump (only in machines with a manual fuel pump). In case of leakage and damage, do not start the engine – **risk of fire!** Have the machine serviced by a dealer before using it
- Use only an approved combination of cutting attachment, deflector, handle and harness. All parts must be assembled properly and securely
- The stop switch must be easy to push
- Check the choke lever, throttle trigger and throttle trigger lockout for smooth action - throttle trigger must return automatically to idle position. The choke lever must spring back from the **I** and **II** positions to the run position **I** when the throttle trigger lockout and throttle trigger are squeezed
- Check that the spark plug boot is secure – a loose boot may cause sparking that could ignite combustible fumes **and cause a fire!**
- Cutting attachment or interchangeable attachment: correctly fitted, secure and in perfect condition

- Safety devices (e. g., deflector for cutting attachments, rider plate) for damage and/or wear. Always replace damaged parts. Do not use the machine with a damaged deflector or worn rider plate (if the writing and arrows are no longer discernible)
- Never attempt to modify the controls or safety devices
- Keep the handles dry and clean – free from oil and dirt – this is important for safe control of the machine
- Adjust the harness and handle(s) to suit your height and reach. Observe the chapter "Fitting the Harness" – "Balancing the machine"

To reduce the risk of personal injury, do not operate your power tool if it is damaged or not properly assembled!

To prepare for emergencies when using a harness: Practice setting down the machine quickly. To avoid damage, do not throw the unit to the ground when practicing.

Starting the engine

Start the engine at least 3 meters from the fueling spot, outdoors only.

Place the unit on firm ground in an open area. Make sure you have good balance and secure footing. Hold the unit securely. The cutting attachment must be clear of the ground and all other obstructions because it may begin to run when the engine starts.

This is a one-person machine – ensure that there is no-one within 15 meters of the machine, not even when starting the power tool! **Risk of injury** due to ejected objects!



Avoid contact with the cutting attachment – **risk of injury!**



Do not drop-start the power tool – start the engine as described in the User Manual. The cutting attachment runs on for a short while after releasing the throttle trigger – **coasting effect!**

Check engine idling: The cutting attachment must remain at a standstill when the engine idles – throttle trigger released.

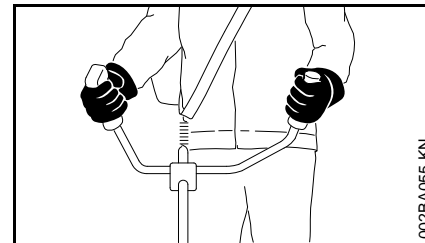
Keep easily combustible materials (e. g., wood chips, bark, dry grass, fuel) away from hot exhaust gases and hot muffler surfaces – **risk of fire!**

Holding and guiding the machine

Always hold the unit firmly with both hands on the handles.

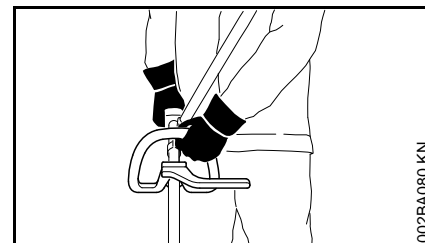
Make sure you always have good balance and secure footing.

For versions with bike handle



Right hand on control handle, left hand on grip on handlebar.

For versions with loop handle

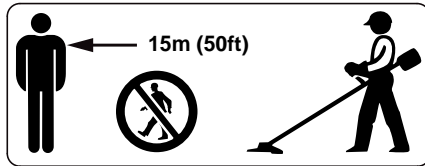


For versions with loop handle and loop handle with barrier bar, left hand on the loop handle, right hand on the control handle – even if you are left-handed.

While working

Make sure you always have good balance and secure footing.

In the event of impending danger or in an emergency, switch off the engine immediately by pressing the stop switch.



There is a risk of accident from ejected objects within a wide area around the working area, so you must ensure that there is no-one within a 15 m radius of the machine. This distance must also be maintained in relation to objects (vehicles, window panes) – **risk of property damage!** Even at a distance over 15 m, danger cannot be ruled out.

Check that the engine is properly idling so that the cutting tool will not continue rotating after you release the throttle trigger.

Check and correct the idle speed setting at regular intervals. If the cutting attachment still rotates at idle speed, have your dealer make proper adjustments or repairs. STIHL recommends you have this work done by a STIHL servicing dealer.

Take special care in slippery conditions – **damp, snow, ice**, on slopes or uneven ground.

Watch out for obstacles: tree stumps, roots – **risk of tripping or stumbling!**

Only work while standing on the ground, never on a ladder or mobile elevated work platform.

Be particularly alert and cautious when wearing hearing protection because your ability to hear warnings (shouts, alarms, etc.) is restricted.

Take breaks when you start getting tired or feeling fatigue – **risk of accidents!**

Work calmly and carefully – in daylight conditions and only when visibility is good. Proceed with caution, do not put others in danger.



As soon as the engine is running, the power machine generates toxic exhaust gas. As soon as the engine is running, the power machine generates toxic exhaust gas. These gases may be odorless and invisible and may contain unburned hydrocarbons and benzene. Never run the engine indoors or in poorly ventilated locations, even if your model is equipped with a catalytic converter.

To reduce the risk of **serious or fatal injury from breathing toxic fumes**, ensure proper ventilation when working in trenches, hollows or other confined locations.

Stop work immediately if you start suffering from nausea, headaches, impaired vision (e.g. your field of vision gets smaller), impaired hearing, dizziness, or impaired concentration – these symptoms may possibly be the result of too-high exhaust gas concentration – **Risk of accidents!**

Operate your power tool so that it produces a minimum of noise and emissions – do not run the engine unnecessarily, accelerate the engine only when working.

To reduce the risk of fire, do not smoke while operating or standing near your power tool. Combustible fuel vapor may escape from the fuel system.

Dust, fumes and smoke produced while working may be hazardous to health. Wear respiratory protection in case of heavy dust or smoke emission.

If your power tool is subjected to unusually high loads for which it was not designed (e.g. heavy impact or a fall), always check that it is in good condition before continuing work – see also "Before Starting".

Check in particular that the fuel system has no leaks and the safety equipment is fully operative. Never use a power tool that is no longer safe to operate. In case of doubt, contact a dealer.

Do not operate your power tool in the starting throttle position – engine speed cannot be controlled in this position.



To reduce the risk of injury from ejected objects, never operate the unit without the correct deflector for the type of cutting attachment being used.



Check the work site – rocks, metal objects etc. may be caught up and ejected – possibly over a distance of 15 m – **risk of injury!** – They can also damage the cutting attachment and other property (e. g. parking vehicles, windows).

Be particularly careful when working on difficult, densely grown terrain.

When mowing in high shrubbery, under shrubbery and hedges: Hold the cutting tool at a working height of at least 15 cm – avoid risks to animals.

Always shut off the engine before leaving the unit unattended.

Examine the cutting attachment periodically at short intervals and as soon as you note any noticeable changes:

- Stop the engine, hold the machine securely, allow the cutting attachment to come to a stop
- Check condition and secure fitting; watch out for cracks
- Ensure that the cutting blades are sharp
- Replace damaged or blunt cutting attachments immediately, even in the event of minor hairline cracks

Clean grass and plant residue off the cutting attachment mounting at regular intervals – remove any accumulated material from the cutting attachment and deflector.

To **reduce the risk of injury**, shut off the engine before replacing the cutting attachment.



The gearbox gets hot during operation. Never touch the gearbox – **risk of burns!**

If a rotating cutting attachment touches a rock or another hard object, sparks can occur which may possibly ignite combustible materials. Also dried-out

plants and brushwood are combustible, above all in hot and dry weather. If there is a risk of fire, do not use cutting attachments in the vicinity of combustible materials, dried-out plants or brushwood. It is mandatory that you ask the responsible forestry office about any current fire hazards.

Using mowing heads

Extend the cutting attachment deflector with the attached parts specified in the User Manual.

Only use a deflector with a properly fitted blade, which limits the mowing line to the permissible length.

For manually adjustable mowing heads, always switch off the engine before adjusting the mowing line – **risk of injury!**

Misuse with mowing lines that are too long reduces the working speed of the engine. The constant slipping of the clutch causes overheating and damage to important components (e. g. clutch, plastic housing parts) – e. g. due to the cutting attachment rotating during idling – **risk of injury!**

When using metal cutting attachments

STIHL recommends the use of original STIHL metal cutting attachments. These have been optimized for the machine and the user's requirements.

Metal cutting attachments rotate very fast, generating forces acting on the attachments and on the cuttings.

Metal cutting attachments must be sharpened in regular intervals in accordance with the instructions.

Unevenly sharpened metal cutting attachments generate an imbalance which may cause extreme loads on the machine – **risk of breakage!**

Dull or improperly sharpened cutting edges can put a higher load on the cutting attachment and increase the **risk of injury** from cracked or broken parts.

After each contact of the metal cutting attachment with hard objects (e.g. stones, rocks, metal parts), check it for damage (e.g. tears and deformation). To **reduce the risk of injury**, remove burrs and other visible accumulated material because they may become detached and be ejected at high speed during operation.

Do not continue using or attempt to repair damaged or cracked cutting attachments by means of welding, straightening or modifying the shape (unbalanced).

Particles or pieces may come off and hit the operator or a bystander at a high speed – **risk of most severe injuries!**

To reduce the above-named risks involved in operating a metal cutting attachment, ensure that the diameter of your metal cutting attachment is not too big. Also, the attachment must not be too heavy. It must be made of high-quality materials and have a suitable geometry (shape, thickness).

A metal cutting attachment not made by STIHL must not have a different weight, thickness, shape or a larger diameter

than the largest STIHL metal cutting attachment approved for this metal cutting attachment – **risk of injury!**

Vibrations

Prolonged use of the power tool may result in vibration-induced circulation problems in the hands (whitefinger disease).

No general recommendation can be given for the length of usage because it depends on several factors.

The period of usage is prolonged by:

- Hand protection (wearing warm gloves)
- Work breaks

The period of usage is shortened by:

- Any personal tendency to suffer from poor circulation (symptoms: frequently cold fingers, tingling sensations).
- Low outside temperatures.
- The force with which the handles are held (a tight grip restricts circulation).

Continual and regular users should monitor closely the condition of their hands and fingers. If any of the above symptoms appear (e.g. tingling sensation in fingers), seek medical advice.

Maintenance and Repairs

Service the machine regularly. Do not attempt any maintenance or repair work not described in the instruction manual. Have all other work performed by a servicing dealer.

STIHL recommends that you have servicing and repair work carried out exclusively by an authorized STIHL servicing dealer. STIHL dealers are regularly given the opportunity to attend training courses and are supplied with the necessary technical information.

Only use high-quality replacement parts in order to avoid the risk of accidents and damage to the machine. If you have any questions in this respect, consult a servicing dealer.

STIHL recommends the use of original STIHL replacement parts. They are specifically designed to match your model and meet your performance requirements.

To reduce the risk of injury from unintentional engine startup, **always shut off the engine and disconnect the spark plug boot** before performing any repairs, maintenance or cleaning work. – Exception: Carburetor and idle speed adjustments.

Do not turn the engine over on the starter with the spark plug boot or spark plug removed since there is otherwise a **risk of fire** from uncontained sparking.

To reduce the **risk of fire**, do not service or store your machine near open flames.

Check the fuel filler cap for leaks at regular intervals.

Use only a spark plug of the type approved by STIHL and make sure it is in good condition – see "Specifications".

Inspect the ignition lead (insulation in good condition, secure connection).

Check the condition of the muffler.

To reduce the **risk of fire and damage to hearing**, do not operate your machine if the muffler is damaged or missing. –

Do not touch a hot muffler since **burn injury** will result.

Vibration behavior is influenced by the condition of the AV elements – check the AV elements at regular intervals.

Maintenance, replacement, or repair of the emission control devices and systems may be performed by any nonroad engine repair establishment or individual. However, if you make a warranty claim for a component which has not been serviced or maintained properly, STIHL may deny coverage.

For any maintenance please refer to the maintenance chart and to the warranty statement near the end of the instruction manual.

Symbols on Deflectors

An **arrow** on the deflector shows the correct direction of rotation of the cutting attachments.

Some of the following symbols are applied to the outside of the deflector to indicate the approved combination of cutting attachment and deflector.



Deflector may be used with mowing heads.



Deflector must not be used with mowing heads.



Deflector may be used with grass cutting blades.



Deflector must not be used with grass cutting blades.



Deflector may be used with brush knives.



Deflector must not be used with brush knives.



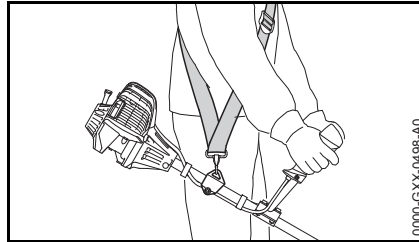
Deflector must not be used with shredder blades.



Deflector must not be used with circular saw blades.

Shoulder Strap/Harness

The shoulder strap/harness is included with the machine or available as a special accessory.

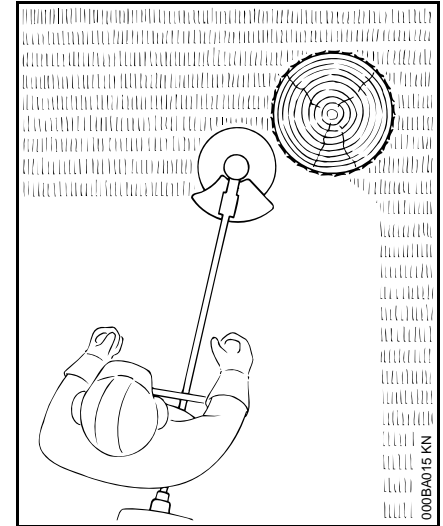


- Use the shoulder strap/harness.
- With the engine running, attach the machine to the shoulder strap/harness.

Grass cutting blades and brush knives must always be used in combination with a shoulder strap.

Circular saw blades must always be used in combination with a full harness with a quick-release system.

Mowing Head with Nylon Line



Nylon line achieves a soft cut for edging and trimming around trees, fence posts, etc. – less risk of damaging tree bark.

The mowing head comes with an instruction leaflet. Refill the mowing head with nylon line as described in the instruction leaflet.

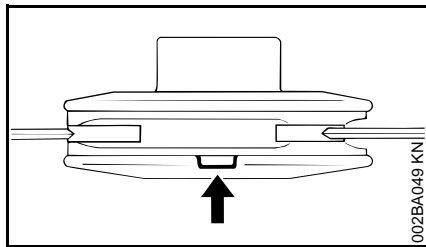
! WARNING

To reduce the risk of serious injury, never use wire or metal-reinforced line in place of the nylon line.

STIHL Polycut Mowing Head with Polymer Blades

For mowing unobstructed edges of meadows (without posts, fences, trees or similar obstacles).

Check the wear limit marks!



If one of the wear limit marks on the PolyCut mowing head is worn through (arrow): Do not continue using the mowing head. Install a new one. There is otherwise a **risk of injury** from thrown parts of the head.

It is important to follow the maintenance instructions for the PolyCut mowing head.

The PolyCut can also be equipped with mowing line in place of the polymer blades.

The mowing head comes with instruction leaflets. Equip the mowing head with polymers blades or nylon line as described in the instruction leaflets.

WARNING

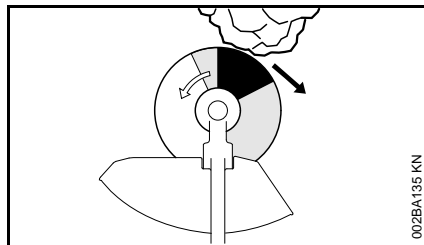
Never use wire in place of the nylon mowing line – **risk of injury**.

Risk of Kickout (Blade Thrust) with Metal Cutting Attachments

WARNING

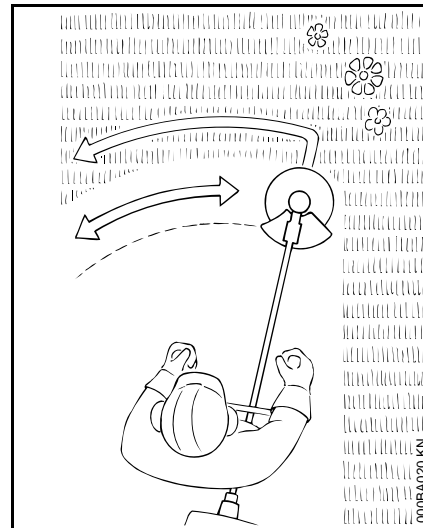


When using metal cutting attachments there is a risk of kickout when the rotating blade comes into contact with a solid object such as a tree trunk, branch, tree stump, rock or similar. The machine is thrown to the right or to the rear – opposite to the attachment's direction of rotation.



The **risk of kickout is greatest** when the **black area** of the rotating cutting attachment comes into contact with a solid object.

Grass Cutting Blade



Use for grass and weeds only – sweep the brushcutter in an arc like a scythe.

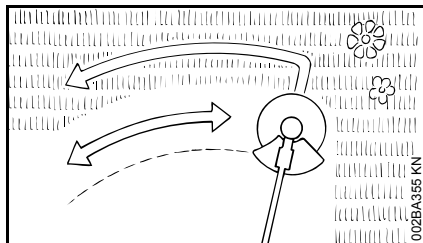
WARNING

Improper use may damage the grass cutting blade – **risk of injury** from thrown parts.

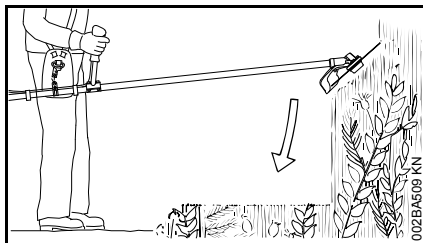
Resharpener the grass cutting blade according to instructions when it has dulled noticeably.

Brush Knife

For cutting matted grass, wild growth and scrub and thinning young stands with a stem diameter of no more than 2 cm – do not cut thicker stems – **risk of accidents**.



Use the brushcutter like a scythe (sweep it to the right and left) at ground level when cutting grass and thinning young stands.



To cut wild growth and scrub, lower the brush knife down onto the growth to achieve a shredding effect – always keep the cutting attachment below hip level during this process.

Exercise extreme caution when using this method of cutting. The higher the cutting attachment is off the ground, the greater the risk of injury from cuttings being thrown sideways.

Warning! Improper use of a brush knife may cause it to crack, chip or shatter – **risk of injury** from thrown parts.

To reduce the risk of injury it is essential to take the following precautions:

- Avoid contact with stones, rocks, pieces of metal and other solid foreign objects.
- Never cut wood or shrubs with a stem diameter of more than 2 cm – use a circular saw blade for such work.
- Inspect the brush knife at regular short intervals for signs of damage. Do not continue working with a damaged brush knife.
- Resharpener the brush knife regularly and whenever it has dulled noticeably, and have it balanced if necessary (STIHL recommends a STIHL servicing dealer).

Circular Saw Blade

Suitable for cutting shrubs and trees with a maximum stem diameter of 4 cm.

Before starting the cut, accelerate the engine up to full throttle. Perform cut with uniform pressure.

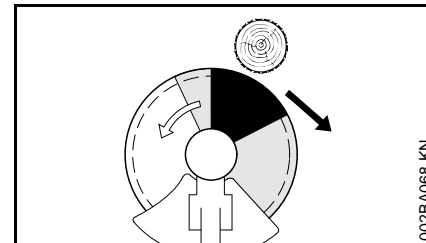
Use circular saw blades only with a matching limit stop of the correct diameter.

! WARNING

To reduce the risk of blade damage, avoid contact with stones and the ground. Resharpener the blade properly in good time – dull teeth may result in the blade cracking and shattering and causing serious injury.

When felling, maintain a distance of at least two tree lengths from the next felling site.

Risk of kickout

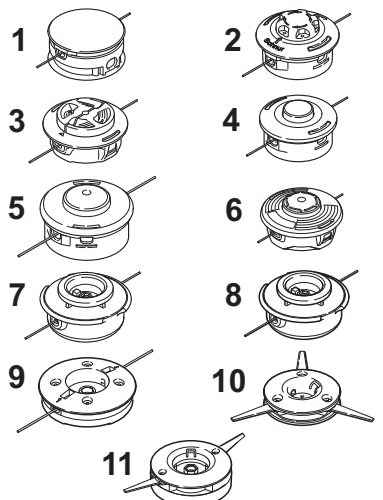
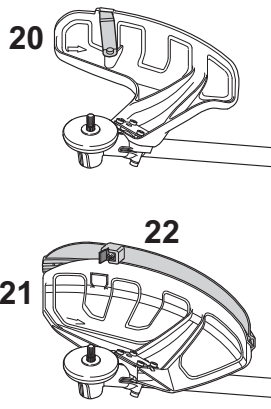
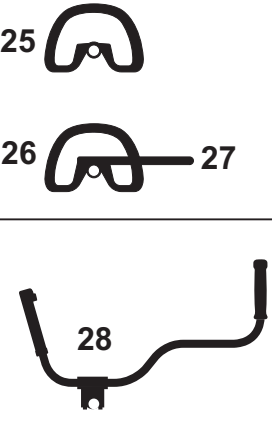
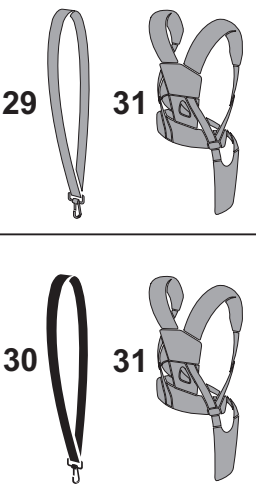
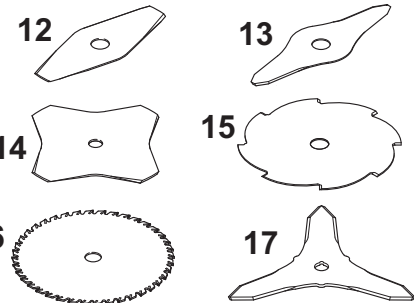
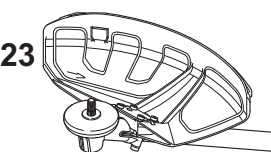
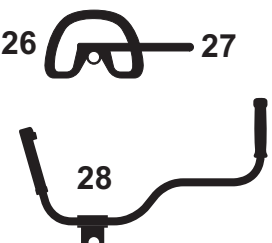
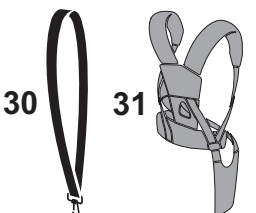

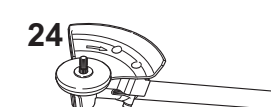
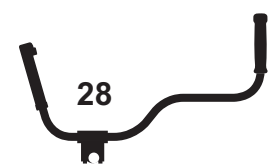



The risk of kickout is highest in the black area of the blade: Do not use this area of the circular saw blade for cutting.

There is also a risk of kickout when using the lighter shaded areas of the blade: These areas of the blade should only be used by experienced operators with specialized training.

STIHL recommends that you use the non-shaded area of the circular saw blade. Always start the cut with this area of the blade.

Approved Combinations of Cutting Attachment, Deflector, Handle and Harness

Cutting attachment	Deflector, limit stop	Handle	Carrying strap
 <p>1, 2, 3, 4, 5, 6, 7, 8, 9, 10, 11</p>	 <p>20, 21, 22</p>	 <p>25, 26, 27, 28</p>	 <p>29, 30, 31</p>
 <p>12, 13, 14, 15, 16, 17</p>	 <p>23</p>	 <p>26, 27, 28</p>	 <p>30, 31</p>
 <p>18, 19</p>	 <p>24</p>	 <p>28</p>	 <p>32</p>

0000099817_001

Permissible combinations

Choose the correct combination from the table depending on the cutting tool!

WARNING

For safety reasons only the cutting attachments, deflector, handle and harness versions within one line of the table may be combined with one another. No other combinations are permitted because of the **risk of accidents!**

Cutting attachments

Mowing heads

- 1 STIHL SuperCut 20-2
- 2 STIHL AutoCut C 25-2
- 3 STIHL AutoCut C 26-2
- 4 STIHL AutoCut 25-2/AutoCut 27-2
- 5 STIHL AutoCut 30-2
- 6 STIHL AutoCut 36-2
- 7 STIHL TrimCut 31-2
- 8 STIHL TrimCut 32-2
- 9 STIHL DuroCut 20-2
- 10 STIHL PolyCut 20-3
- 11 STIHL PolyCut 28-2

Metal cutting tools

- 12 Grass cutting blade 230-2 (230 mm dia.)
- 13 Grass cutting blade 260-2 (260 mm dia.)
- 14 Grass cutting blade 230-4 (230 mm dia.)

- 15 Grass cutting blade 230-8 (230 mm dia.)
- 16 Grass cutting blade 250-40 Spezial (250 mm dia.)
- 17 Brush knife, 250-3 (250 mm dia.)
- 18 Circular saw blade 200 scratcher tooth (Ø 200 mm)
- 19 Circular saw blade 200-22 chisel tooth (4112), circular saw blade 200-22 HP chisel tooth (4001)

WARNING

Grass cutting blades, brush knives and circular saw blades of other, non-metal materials must not be used.

Deflectors, limit stop

- 20 Deflector for mowing heads
- 21 Deflector **with**
- 22 Skirt and blade for mowing heads
- 23 Deflector **without** skirt and blade for metal cutting attachments, items 9 to 15
- 24 Limit stop for circular saw blades

Handles

- 25 Loop handle
- 26 Loop handle **with**
- 27 Barrier bar
- 28 Bike handle

Shoulder straps

- 29 Shoulder strap can be used
- 30 Shoulder strap must be used
- 31 Full harness can be used
- 32 Full harness must be used

Approved Power Tool Attachments

The following STIHL attachments may be used with the basic power tool:

Attachment	Application
BF	Cultivator
HL 145° ¹⁾	Long reach hedge trimmer
HT ¹⁾	Pole pruner
RG ³⁾	Weeder
SP ^{1) 2)}	Special harvester

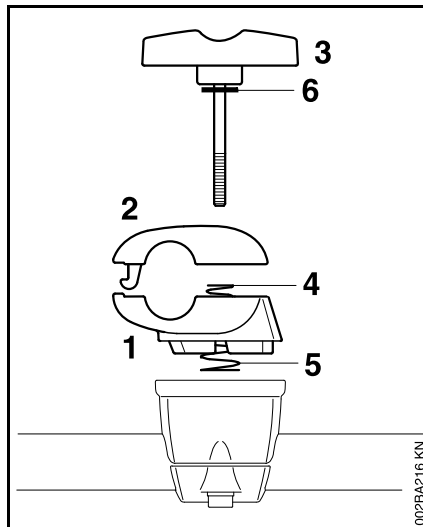
- 1) Not approved for bike-handled machines
- 2) Use handle hose supplied with the machine
- 3) Use barrier bar on loop-handled machines

Mounting the Bike Handle

Mounting Bike Handle with Swiveling Handle Support

The machine is supplied with the swiveling handle support already mounted on the shaft. To mount the handlebar it is necessary to remove the clamp moldings.

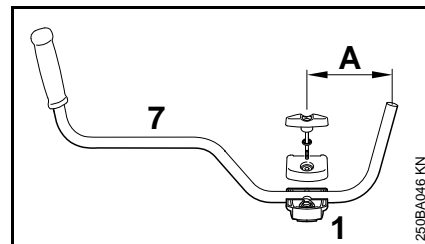
Removing the Clamp Moldings



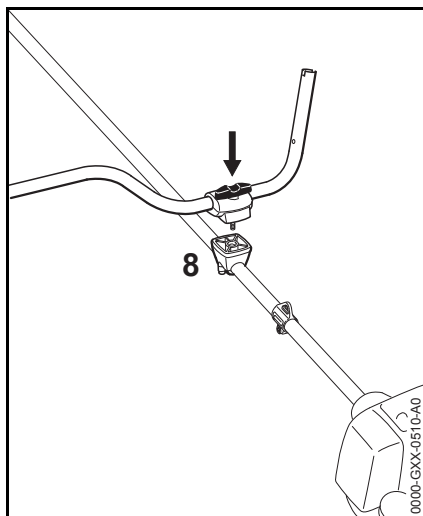
- Hold the lower clamp (1) and upper clamp (2) firmly together.
- Release the wing screw (3) – the clamps are loose once the wing screw has been released. They are pushed apart by the two springs (4 and 5).

- Pull out the wing screw – the washer (6) remains on the wing screw.
- Separate the clamp moldings – the springs (4 and 5) remain in the lower clamp.

Securing the Handlebar

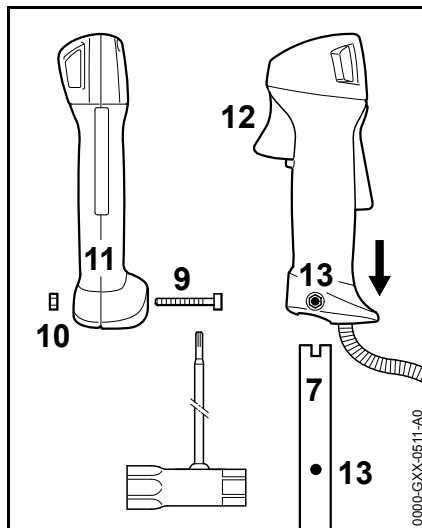


- Place the handlebar (7) in the lower clamp (1) so that distance A is no more than 15 cm (6 in).
- Place the upper clamp in position and hold both clamp moldings together.
- Push the wing screw through the two clamps as far as stop – hold all parts together and secure them.



- Place the secured assembly on the handle support (8) with the wing screw at the side nearest the engine.
- Push the wing screw into the handle support as far as stop and then screw it down – but do not finally tighten yet.
- Line up the handlebar at a right angle to the drive tube – check distance A again.
- Tighten down the wing screw firmly.

Mounting the Control Handle



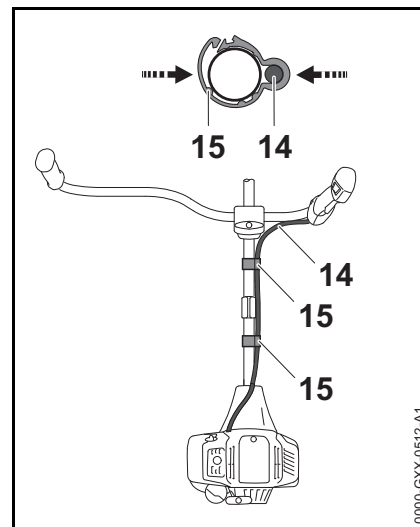
- Take out the screw (9) – the nut (10) remains in the control handle (11).
- Push the control handle onto the handlebar (7) until the holes (13) line up – the throttle trigger (12) must point towards the gearbox.
- Insert the screw (9) and tighten it down firmly.

Fitting the Throttle Cable



NOTICE

Do not kink the throttle cable or lay it in tight radii – make sure the throttle trigger moves freely.



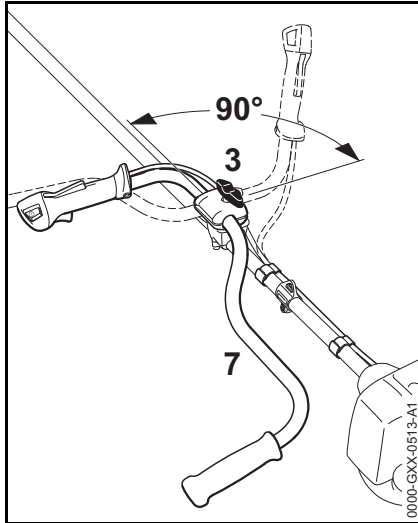
- Position the clamp (15) and handle support (14) against the drive tube.
- Close the throttle cable retainer (15). The retainer (15) snaps into place.

Adjusting the Throttle Cable

- Check adjustment of throttle cable – see chapter on "Adjusting the Throttle Cable".

Swiveling the Handlebar

Transport position



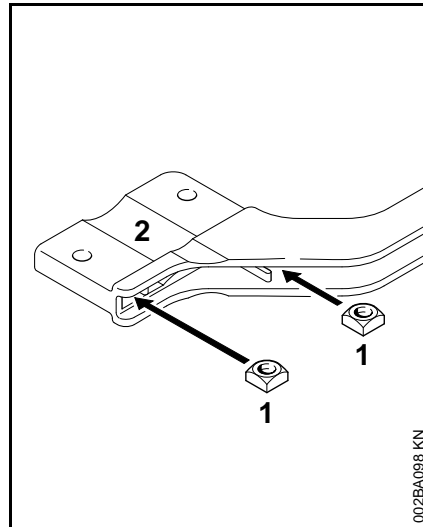
- Loosen the wing screw (3) and unscrew it until the handlebar (7) can be rotated.
- Rotate the handlebar 90° counterclockwise and then swing the handles down.
- Tighten down the wing screw (3) firmly.

Working position

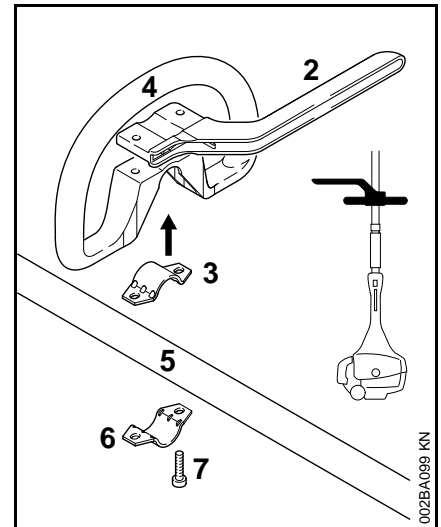
- Reverse the sequence described above to swing the handles up and turn the handlebar clockwise.

Mounting the Loop Handle

Mounting Loop Handle with Barrier Bar

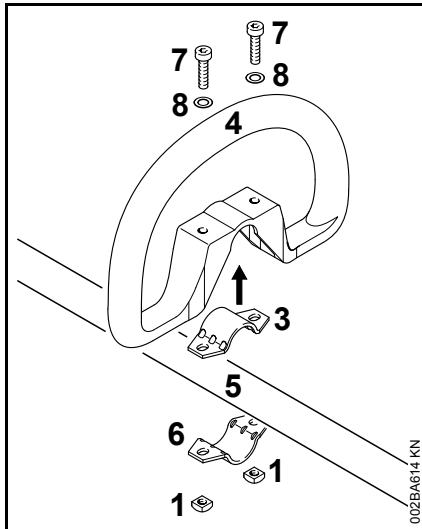


- Fit the square nuts (1) in the barrier bar (2); the holes must line up.



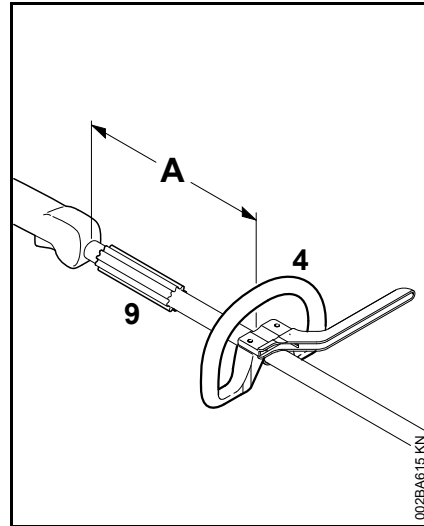
- Place the clamp (3) in the loop handle (4) and position them both against the drive tube (5).
- Position the clamp (6) against the drive tube.
- Place the barrier bar (2) in position as shown.
- Line up the holes.
- Insert the screws (7) in the holes and screw them into the barrier bar (2) as far as stop.
- Go to "Securing the Loop Handle".

Mounting the Loop Handle without Barrier Bar



- Place the clamp (3) in the loop handle (4) and position them both against the drive tube (5).
- Position the clamp (6) against the drive tube.
- Line up the holes.
- Fit washers (8) on the screws (7) and insert the screws in the holes. Fit the square nuts (1) and screw them down as far as stop.
- Go to "Securing the Loop Handle".

Securing the Loop Handle



The loop handle can be adjusted to suit the height and reach of the operator and the application by changing distance (A).

Recommendation: distance (A): about 20 cm (8 in)

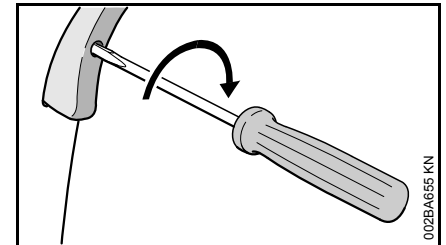
- Slide the handle to the required position.
- Line up the loop handle (4).
- Tighten down the screws until the loop handle can no longer be rotated on the drive tube. If no barrier bar is fitted – lock the nuts if necessary.

The sleeve (9) (not fitted on all models) must be between the loop handle and the control handle.

Adjusting the Throttle Cable

It may be necessary to correct the adjustment of the throttle cable after assembling the machine or after a prolonged period of operation.

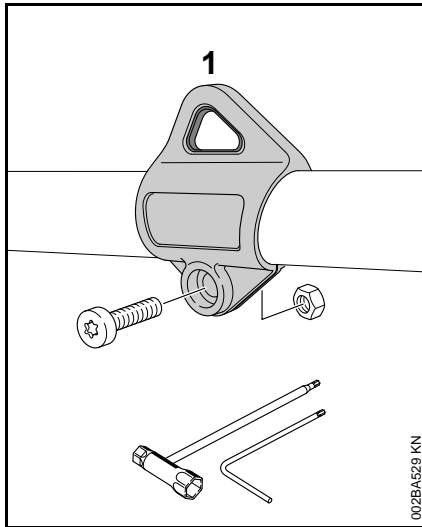
Adjust the throttle cable only when the unit is completely and properly assembled.



- Set the throttle trigger to the full throttle position.
- Carefully rotate the screw in the throttle trigger in the direction of the arrow until you feel initial resistance. Then rotate it another half turn in the same direction.

Fitting the Carrying Ring

Polymer Version

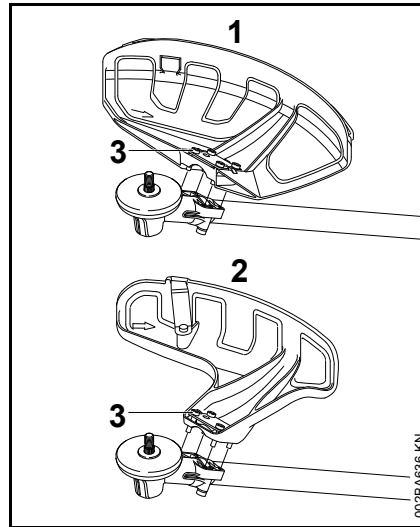


For position of carrying ring see "Main Parts".

- Push the carrying ring (1) over the drive tube.
- Insert the M5 nut in the hex recess in the carrying ring.
- Fit the M5x14 screw.
- Line up the carrying ring.
- Tighten down the screw firmly.

Mounting the deflector

Mounting the Deflector



- 1 Deflector for mowing attachments
- 2 Deflector for mowing heads

Deflectors (1 and 2) are both mounted to the gearbox in the same way.

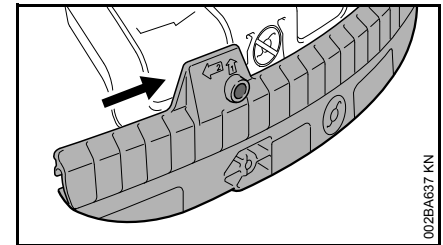
- Place the deflector on the gearbox flange.
- Insert the screws (3) and tighten them down firmly.

Fitting the Skirt and Blade

! WARNING

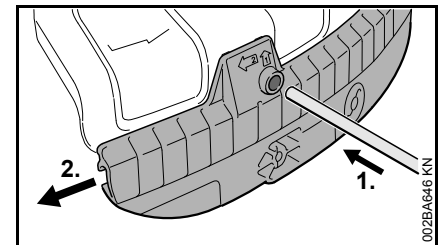
Risk of injury from thrown objects and contact with the cutting attachment. These parts must be fitted to the deflector (1) when you use a mowing head.

Fitting the Skirt



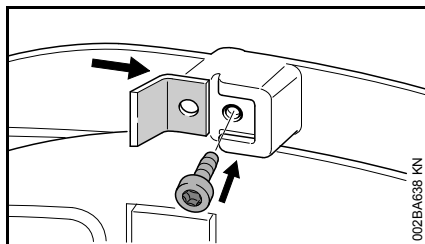
- Slide the lower guide slot of the skirt onto the deflector – it must snap into position.

Removing the Skirt



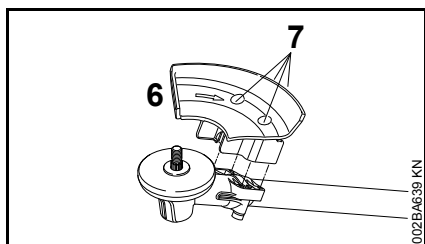
- Insert the stop pin into the hole in the skirt and use it to push the skirt to the left.
- Pull the skirt off the deflector.

Mounting the Blade



- Slide the line limiting blade into the guide on the skirt.
- Insert the screw and tighten it down firmly.

Mounting the Limit Stop



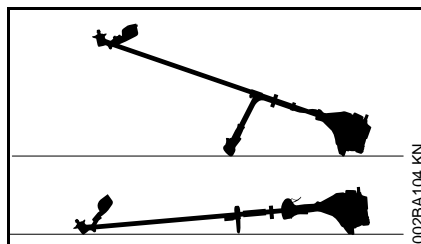
! WARNING

Risk of injury from thrown objects and contact with the cutting attachment. Always fit the limit stop (6) when you use a circular saw blade.

- Position the limit stop (6) on the gearbox flange.
- Insert the screws (7) and tighten them down firmly.

Mounting the Cutting Attachment

Placing power tool on the ground



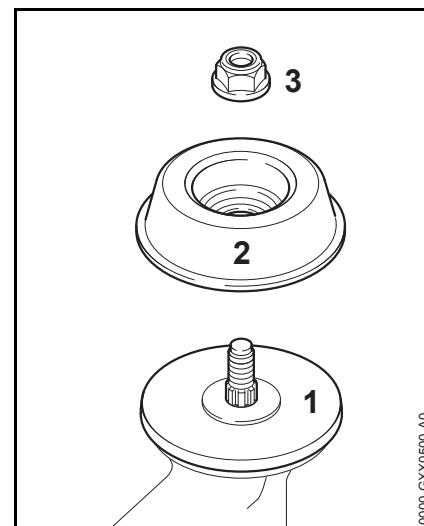
- Shut off the engine.
- Lay your power tool on its back so that the cutting attachment mounting face is pointing up.

Mounting Hardware for Cutting Attachments

The mounting hardware supplied depends on the cutting attachment that comes as original equipment with the new machine.

Machine supplied with mounting hardware

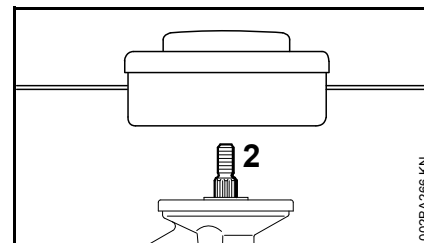
Mowing heads and metal cutting attachments may be mounted.



Depending on the cutting attachment, it may be necessary to use the nut (3) and rider plate (2). The thrust plate (1) must be used with all cutting attachments.

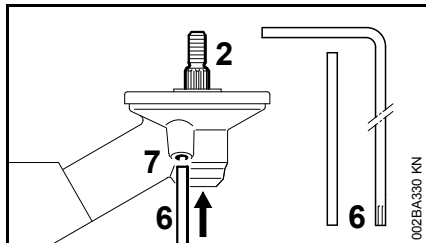
These parts are included in a kit supplied with the machine and are also available as special accessories.

Machine supplied without mounting hardware



Only mowing heads may be used which mount directly to the shaft (2).

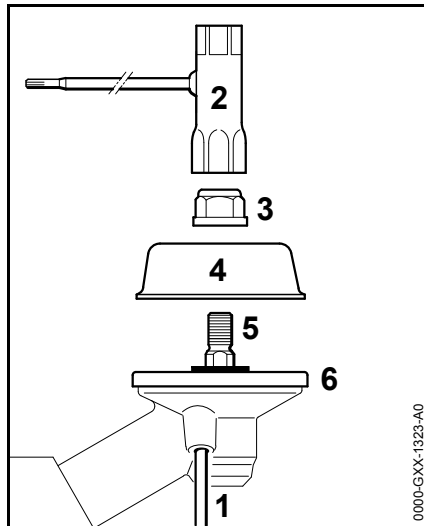
Blocking the Shaft



The output shaft (2) must be blocked with the stop pin (6) or screwdriver (6) to mount or remove cutting attachments. These parts come standard with the machine or are available as special accessories.

- Insert the stop pin (6) or screwdriver (6) in the hole (7) in the gearbox as far as stop – and apply slight pressure.
- Rotate shaft, nut or cutting attachment until the stop pin slips into position and blocks the shaft.

Removing the Mounting Hardware



- Block the shaft (5) with the stop pin (1).
- Use the combination wrench (2) to loosen and remove the nut (3) clockwise (left-hand thread).
- Take the rider plate (4) off the shaft (5). Do not remove the thrust plate (6).

Mounting the Cutting Attachment

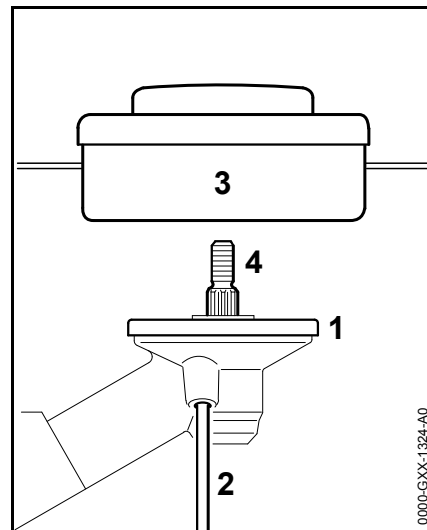


WARNING

Risk of injury from thrown objects and contact with the cutting attachment. Use a deflector that matches the cutting attachment – see "Mounting the Deflector".

Fitting Mowing Head with Screw Mounting

Keep the instruction leaflet for the mowing head in a safe place.



- Fit the thrust plate (1).
- Screw the mowing head (3) counterclockwise on to the shaft (4) as far as stop.
- Block the shaft (4) with the stop pin (2).
- Tighten down the mowing head (3) firmly.



NOTICE

Remove the tool used to block the shaft.

Remove the mowing head.

- Block the shaft (4) with the stop pin (2).
- Unscrew and remove the mowing head (3) clockwise.

Mounting Metal Cutting Attachments

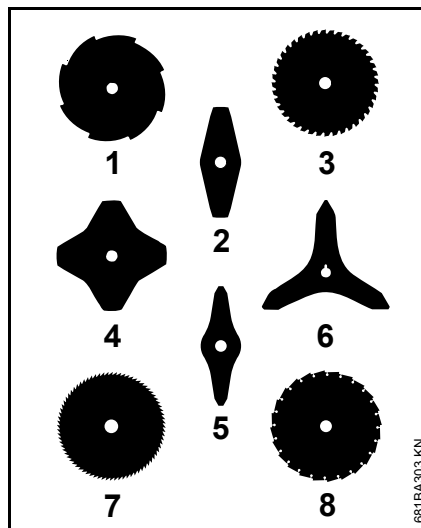
Keep the leaflet and packaging of the metal cutting attachment in a safe place.

! WARNING

Wear protective gloves to reduce the risk of direct contact with the sharp cutting edges.

Mount only one metal cutting attachment.

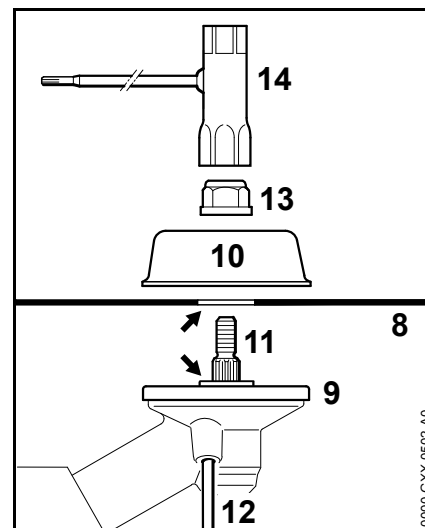
Check direction of rotation of cutting attachment



Cutting attachments 2, 4, 5 and 6 may be mounted either way round – they must be turned over regularly to help avoid one-sided wear.

The cutting edges of cutting attachments 1, 3, 7 and 8 must point clockwise.

Direction of rotation is indicated by an arrow on the inside of the deflector.



- Fit the thrust plate (9).
- Place the cutting attachment (8) on the thrust plate (9).

Collar (see arrow) must engage the cutting attachment's mounting hole.

Securing the cutting attachment

- Fit the rider plate (10).
- Block the shaft (11) with the stop pin (12).
- Use the combination wrench (14) to screw the mounting nut (13) on to the output shaft counterclockwise and tighten it down firmly.

! WARNING

There is a risk of injury if the cutting attachment works loose. If the mounting nut has become too loose, fit a new one.



Remove the tool used to block the shaft.

Removing the Metal Cutting Attachment



Wear protective gloves to reduce the risk of direct contact with the sharp cutting edges.

- Block the shaft (11) with the stop pin (12).
- Unscrew the mounting nut (13) clockwise.
- Remove cutting attachment and its mounting hardware from the gearbox – but **do not** remove the thrust plate (9).

Fuel

This engine is certified to operate on unleaded gasoline and the STIHL two-stroke engine oil at a mix ratio of 50:1.

Your engine requires a mixture of high-quality gasoline and two-stroke air cooled engine oil.

Use mid-grade unleaded gasoline with a minimum octane rating of 89 ((R+M)/2) and no more than 10% ethanol content.

Fuel with an octane rating below 89 may increase engine temperatures. This, in turn, increases the risk of piston seizure and damage to the engine.

The chemical composition of the fuel is also important. Some fuel additives not only detrimentally affect elastomers (carburetor diaphragms, oil seals, fuel lines, etc.), but magnesium castings and catalytic converters as well. This could cause running problems or damage the engine. For this reason STIHL recommends that you use only quality unleaded gasoline.

Gasoline with an ethanol content of more than 10% can cause running problems and major damage in engines and should not be used.

For further details, see

www.STIHLusa.com/ethanol

The ethanol content in gasoline affects engine speed – it may be necessary to readjust the carburetor if you use fuels with various ethanol contents.



To reduce the risk of personal injury from loss of control and / or contact with the running cutting tool, do not use your unit with incorrect idle adjustment. At correct idle speed, the cutting tool should not move.

If your power tool's idle speed is incorrectly adjusted, have your authorized STIHL servicing dealer check your machine and make the proper adjustments and repairs.

The idle speed and maximum speed of the engine change if you switch from a fuel with a certain ethanol content to another fuel with a much higher or lower ethanol content.

This problem can be avoided by always using fuel with the same ethanol content.

To ensure the maximum performance of your STIHL engine, use a high quality 2-cycle engine oil, such as STIHL 2-cycle engine oils. STIHL 2-cycle engine oils are specially designed for STIHL engines. To help your engine run cleaner and reduce harmful carbon deposits, STIHL recommends using STIHL HP Ultra 2-cycle engine oil, or use an equivalent high quality 2-cycle engine oil.

To meet the requirements of EPA and CARB we recommend to use STIHL HP Ultra oil or equivalent.

Do not use NMMA or TCW rated (two-stroke water cooled) mix oils or other mix oils that state they are for use in both water cooled and air cooled engines (e.g., outboard motors, snowmobiles, chain saws, mopeds, etc.).

Take care when handling gasoline. Avoid direct contact with the skin and avoid inhaling fuel vapor. When filling at the pump, first remove the container from your vehicle and place the container on the ground before filling. To reduce the risk of sparks from static discharge and resulting fire and/or explosion, do not fill fuel containers that are sitting in or on a vehicle or trailer.

The container should be kept tightly closed in order to limit the amount of moisture that gets into the mixture.

The machine's fuel tank should be cleaned as necessary.

STIHL MotoMix

STIHL recommends the use of STIHL MotoMix. STIHL MotoMix has a high octane rating and ensures that you always use the right gasoline/oil mix ratio.

STIHL MotoMix uses STIHL HP Ultra two-stroke engine oil suited for high performance engines.

For further details, see www.STIHLusa.com/ethanol

Fuel mix ages

If not using STIHL MotoMix, only mix sufficient fuel for a few days of work, not to exceed 30 days of storage. Store in approved fuel-containers only. When mixing, pour oil into the container first, and then add gasoline. Close the container and shake it vigorously by hand to ensure proper mix of oil and gasoline.

Gasoline Oil (STIHL 50:1 or equivalent high-quality oils)

Liters	Liters	(ml)
1	0.02	(20)
5	0.10	(100)
10	0.20	(200)
20	0.40	(400)

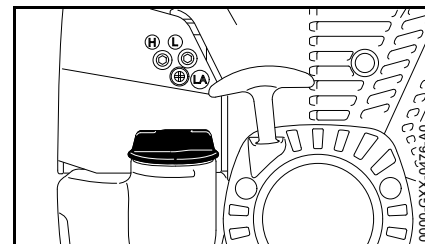
US gal.	US fl. oz.
1	2.6
2 1/2	6.4
5	12.8

Dispose of empty mixing-oil containers only at authorized disposal locations.

Fueling

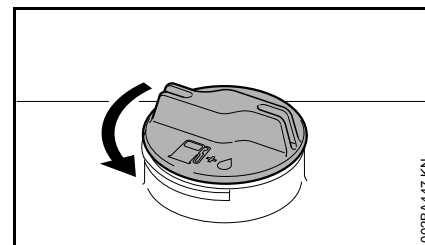


Preparations



- Before fueling, clean the filler cap and the area around it to ensure that no dirt falls into the tank.
- Position the machine so that the tank cap faces up.

Opening the Tank Cap



- Turn the cap counterclockwise until it can be removed from the tank opening.
- Remove the tank cap.

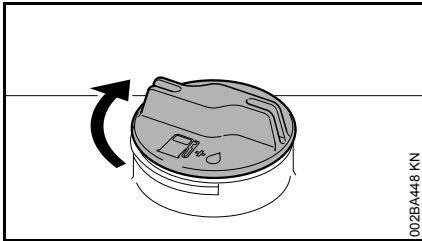
Filling Up with Fuel

Take care not to spill fuel while fueling and do not overfill the tank.

STIHL recommends you use the STIHL filler nozzle for fuel (special accessory).

- Fill up with fuel.

Closing the Tank Cap



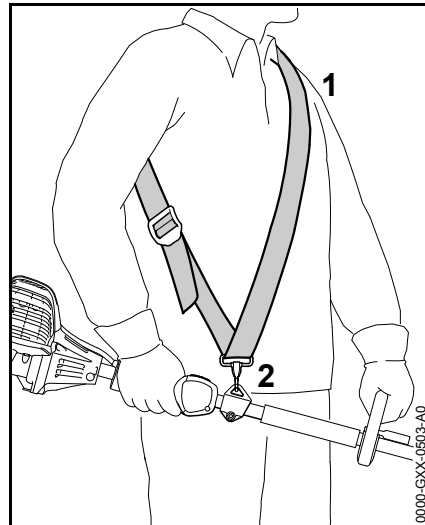
- Place the cap in the opening.
- Turn the cap clockwise as far as stop and tighten it down as firmly as possible by hand.

Fitting the Harness

The type and style of the harness/shoulder strap depend on the market.

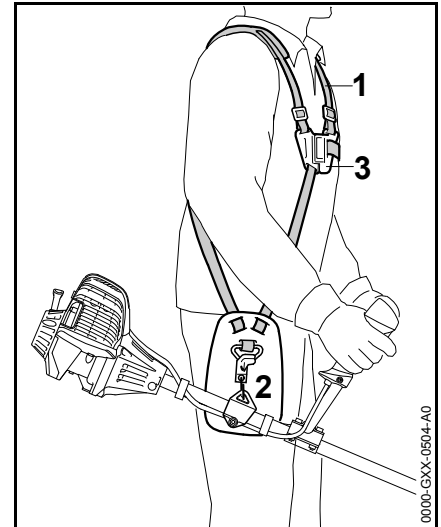
The use of the shoulder strap is described in the chapter on "Approved Combinations of Cutting Attachment, Deflector, Handle and Harness".

Shoulder Strap



- Put on the shoulder strap (1).
- Adjust the length of the strap so that the carabiner (2) is about a hand's width below your right hip.
- Balance the machine – see "Balancing the Machine".

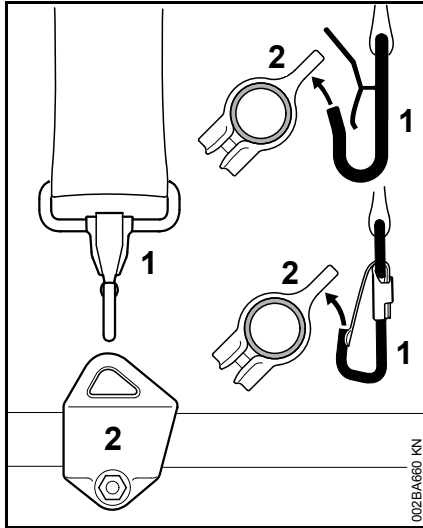
Full Harness



- Put on the harness (1) and close the locking plate (3).
- Adjust the length of the strap – with the machine attached, the carabiner (2) must be about a hand's width below your right hip.
- Balance the machine – see "Balancing the Machine".

Balancing the Machine

Attaching Machine to Harness



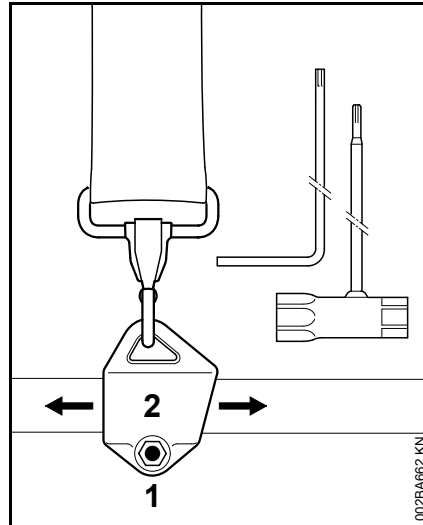
The type and style of the shoulder strap and carabiner depend on the market.

- Attach the carabiner (1) to the carrying ring (2) on the drive tube.

Balancing the Machine

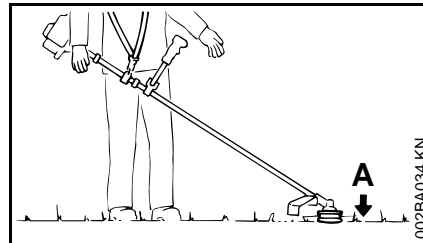
The unit is balanced differently depending on the cutting attachment used.

Proceed as follows until the conditions specified under "Floating positions" have been met:



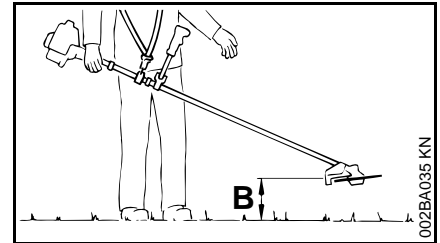
- Loosen the screw (1).
- Slide the carrying ring (2) along the drive tube.
- Tighten the screw (1) moderately.
- Allow the unit to hang freely.
- Check the position obtained:

Balanced positions



Mowing tools (A) such as mowing heads, grass cutting blades and brush knives

- should just touch the ground.



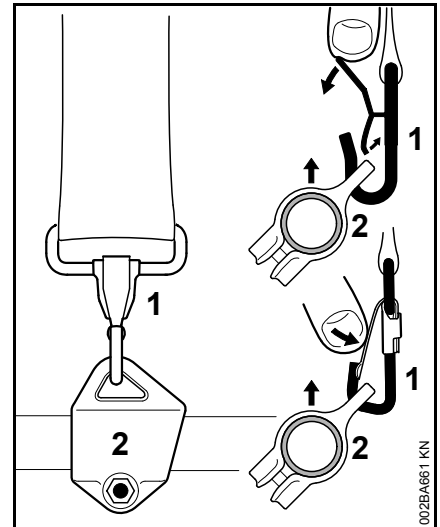
Circular saw blades (B)

- should "hover" about 20 cm (8 in) above the ground.

When the correct balanced position has been reached:

- Tighten down the screw (1) on the carrying ring firmly.

Disconnecting Machine from Harness

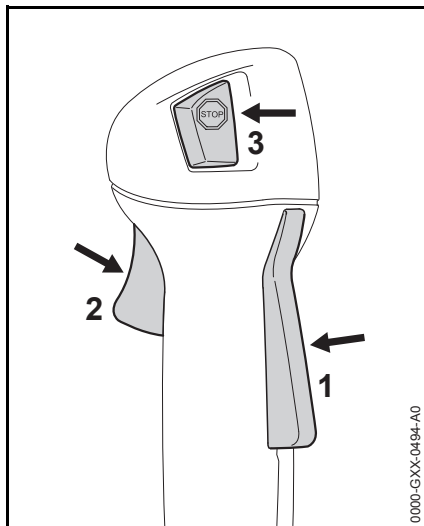


- Press down the bar on the carabiner (1) and pull the carrying ring (2) out of the carabiner.

Starting / Stopping the Engine

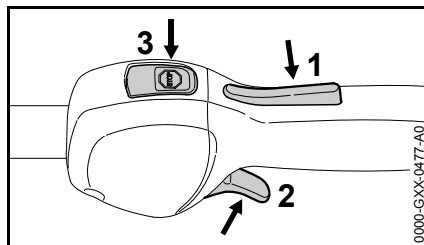
Controls

Version with Bike Handle



- 1 Throttle trigger lockout
- 2 Throttle trigger
- 3 Stop switch with **Run** and **Stop** positions. Depress the stop switch (⊖) to switch off the ignition – see "Function of stop switch and ignition system".

Version with Loop Handle

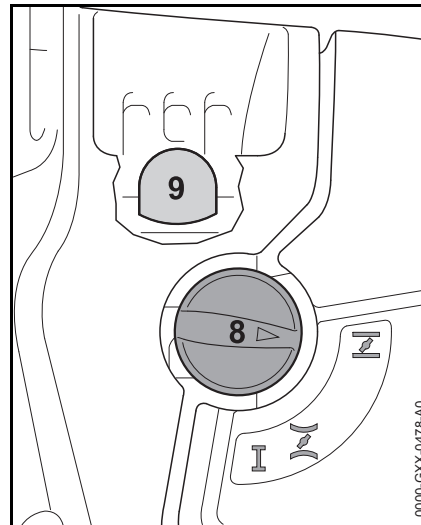




- 1 Throttle trigger lockout
- 2 Throttle trigger
- 3 Stop switch with **Run** and **Stop** positions. Depress the stop switch (⊖) to switch off the ignition – see "Function of stop switch and ignition system".

Function of stop switch and ignition system

The ignition is switched off and the engine stopped when the stop switch is pressed. The stop switch returns automatically to the **Run** position when it is released: The ignition is switched on again after the engine stops – the engine is then ready to start.

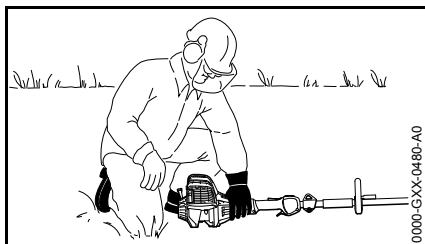
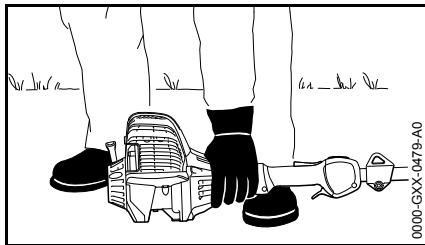
Starting the Engine



- Press the manual fuel pump bulb (9) at least five times – even if the bulb is already filled with fuel.
- Press in the choke knob (8) and turn it to the position that suits the engine temperature:
 -  if the engine is cold
 -  for warm start – also use this position if the engine has been running but is still cold.

The choke knob must engage in position.

Cranking



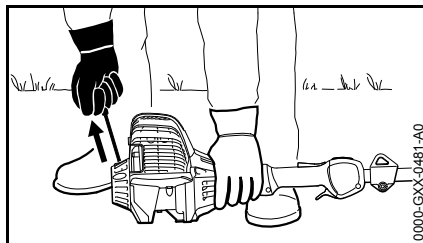
- Place the unit on the ground: It must rest securely on the engine support and the deflector.
- If fitted: Remove the transport guard from the cutting attachment.

To reduce the risk of accidents, check that the cutting attachment is not touching the ground of any other obstacles.

- Make sure you have a firm footing, either standing, stooping or kneeling.
- Hold the unit **firmly** on the ground with your left hand and press down – do not touch the throttle trigger or lockout lever – your thumb should be under the fan housing.

**NOTICE**

Do not stand or kneel on the drive tube.



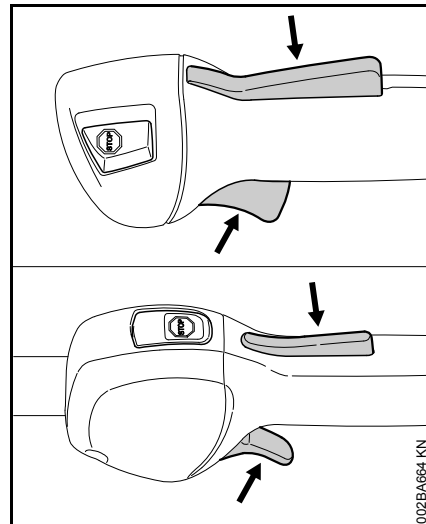
- Hold the starter grip with your right hand.
- Pull the starter grip slowly until you feel it engage and then give it a brisk strong pull.

**NOTICE**

Do not pull out the starter rope all the way – **it might otherwise break**.

- Do not let the starter grip snap back. Guide it slowly back into the housing so that the starter rope can rewind properly.
- Continue cranking until the engine runs.

As soon as the engine runs



- Press down the throttle trigger lockout and open the throttle – the choke knob moves to the run position I. After a cold start, warm up the engine by opening the throttle several times.

WARNING

There is a risk of injury if the cutting attachment runs when the engine is idling. Adjust the carburetor so that the cutting attachment does not run when the engine is idling – see “Adjusting the Carburetor”.

Your machine is now ready for operation.

Stopping the Engine

- Depress the momentary contact stop switch – the engine stops – release the stop switch – it springs back to the run position.

Other Hints on Starting

Engine stalls in cold start position **I** or under acceleration.

- Move the choke knob to **II** and continue cranking until the engine runs.

Engine does not start in warm start position **II**

- Move the choke knob to **I** and continue cranking until the engine runs.

If the engine does not start

- Check that all settings are correct.
- Check that there is fuel in the tank and refuel if necessary.
- Check that the spark plug boot is properly connected.
- Repeat the starting procedure.

Engine is flooded

- Move the choke knob to **I** and continue cranking until the engine runs.

Fuel tank run until completely dry

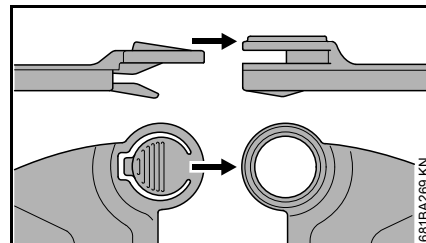
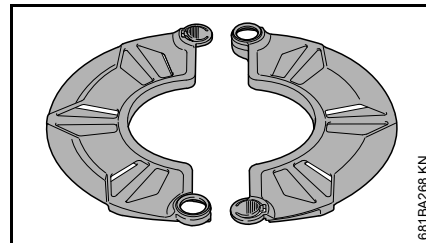
- After refueling, press the manual fuel pump bulb at least five times – even if the bulb is already filled with fuel.
- Set the choke lever to suit the engine temperature.
- Now start the engine.

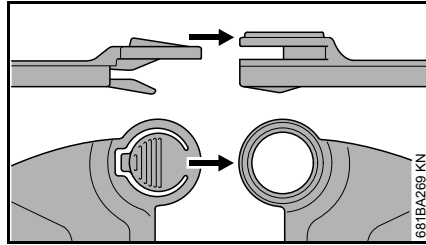
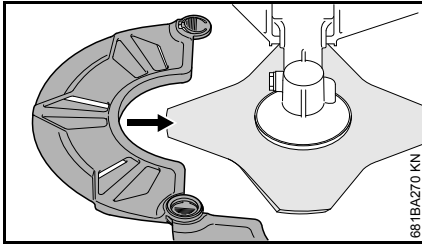
Transporting the Unit

Using Transport Guard

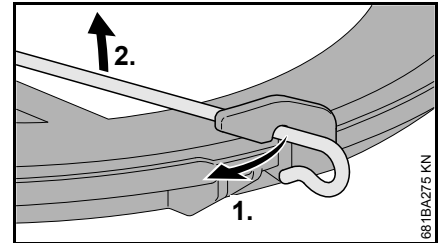
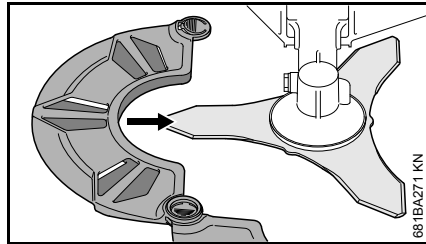
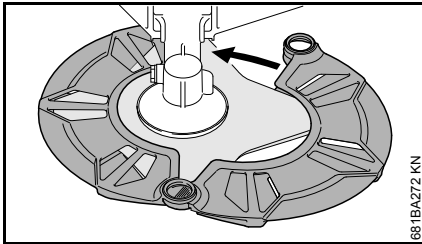
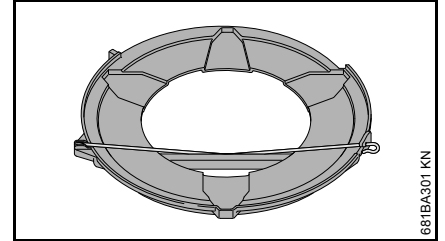
The type of transport guard depends on the metal cutting attachment supplied with the machine. Transport guards are available as special accessories.

230 mm Grass Cutting Blades

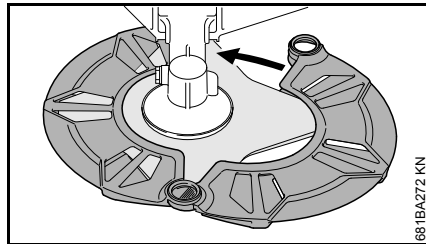
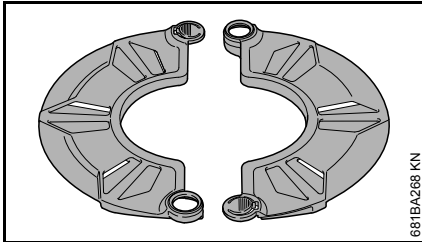




Grass Cutting Blades up to 260 mm

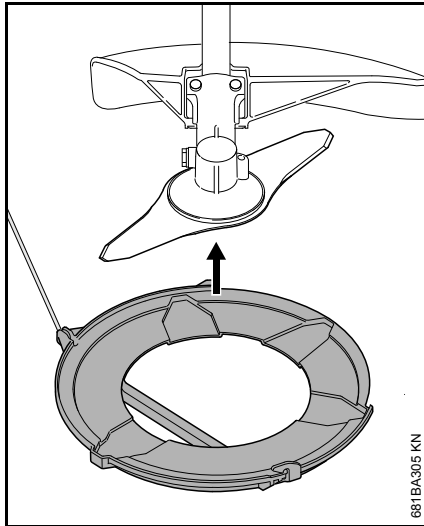


250 mm Brush Knives

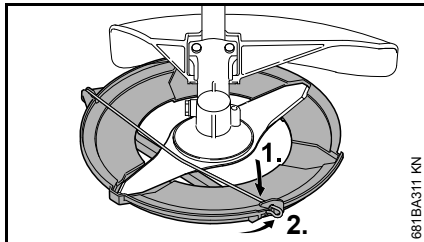


- Disconnect wire rod from the transport guard.
- Swing wire rod outwards.

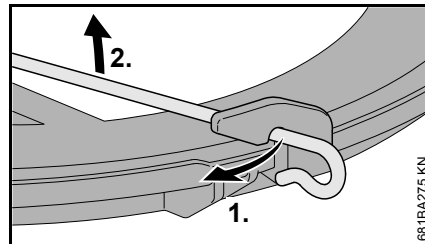
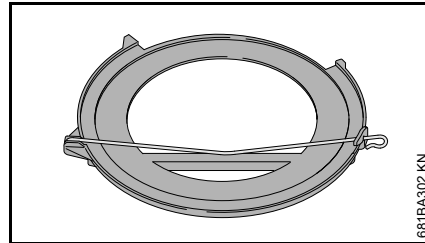
Circular Saw Blades



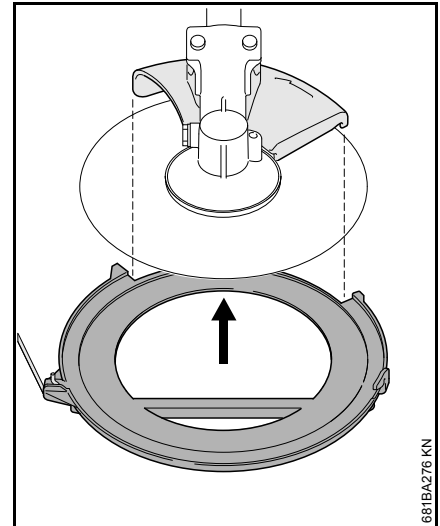
- Fit the transport guard on the cutting attachment from below.



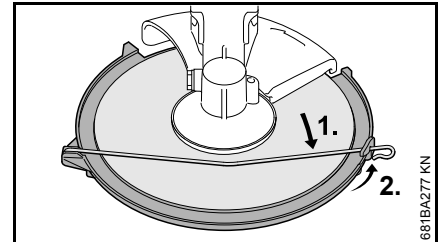
- Swing wire rod into position.
- Hook wire rod to the transport guard.



- Disconnect wire rod from the transport guard.



- Swing wire rod outwards.
- Fit transport guard on saw blade from below, making sure the limit stop is properly seated in the recess.



- Swing wire rod into position.
- Hook wire rod to the transport guard.

Operating Instructions

During break-in period

A factory-new machine should not be run at high revs (full throttle off load) for the first three tank fillings. This avoids unnecessary high loads during the break-in period. As all moving parts have to bed in during the break-in period, the frictional resistances in the engine are greater during this period. The engine develops its maximum power after about 5 to 15 tank fillings.

During Operation

After a long period of full throttle operation, allow the engine to run for a short while at idle speed so that engine heat can be dissipated by the flow of cooling air. This protects engine-mounted components (ignition, carburetor) from thermal overload.

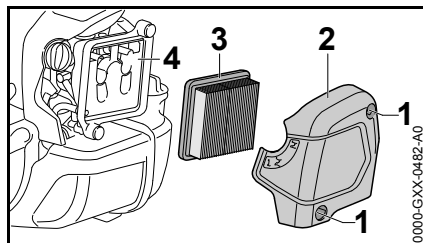
After Finishing Work

Storing for a short period: Wait for the engine to cool down. Empty the fuel tank and keep the machine in a dry place, well away from sources of ignition, until you need it again. For longer out-of-service periods – see "Storing the Machine".

Replacing the Air Filter

Filters have an average life of more than a year. Do not remove the filter cover or replace the air filter as long as there is no noticeable loss of power.

If there is a noticeable loss of engine power



- Turn the choke knob to \overline{I} .
- Loosen the screws (1).
- Remove the filter cover (2).
- Clean away loose dirt from around the filter.
- Remove the filter element (3).
- Replace dirty or damaged filter element (3).
- Replace any damaged parts.

Installing the Filter Element

- Install the filter element (3) in the filter housing and fit the cover.
- Insert the screws (1) and tighten them down firmly.

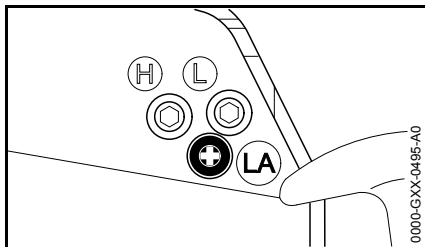
Engine Management

Exhaust emissions are controlled by the design of the engine and components (e.g. carburation, ignition, timing and valve or port timing).

Adjusting the Carburetor

The carburetor has been set at the factory to provide an optimum fuel-air mixture under most operating conditions.

Adjusting Idle Speed



Engine stops while idling

- Warm up the engine for about 3 minutes.
- Turn the idle speed screw (LA) slowly clockwise until the engine runs smoothly – the cutting attachment must not run.

Cutting attachment runs when engine is idling

- Turn the idle speed screw (LA) slowly counterclockwise until the cutting attachment stops running and then turn the screw about another 1/2 to 3/4 turn in the same direction.

! WARNING

If the cutting attachment continues to run when the engine is idling, have your machine checked and repaired by your servicing dealer.

Spark Arresting Screen in Muffler

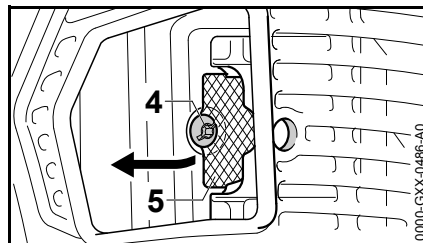
! WARNING

To reduce the risk of fire caused by hot particles escaping from the machine, never operate the machine without a spark arresting screen, or with the spark arresting screen damaged. Do not modify the muffler or spark arresting screen.

⚙ NOTICE

According to the law or regulations in some countries or federal states, certain operations may only be carried out if a properly serviced spark arresting screen is provided.

- If the engine is down on power, check the spark arresting screen in the muffler.
- Wait for the muffler to cool down



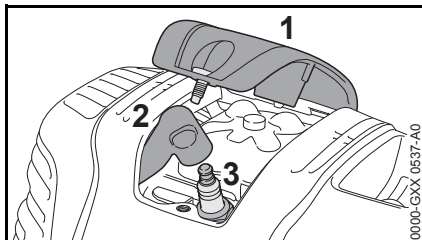
- Undo screw (4)
- Lift the spark arresting screen (5) and pull it out.
- Clean the spark arresting screen (5). If the screen is damaged or heavily carbonized, install a new one.

- Refit the spark arresting screen (5)
- Insert and tighten screw (4)

Spark Plug

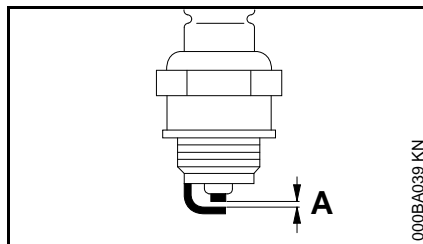
- If the engine is down on power, difficult to start or runs poorly at idle speed, first check the spark plug.
- Fit a new spark plug after about 100 operating hours – or sooner if the electrodes are badly eroded. Install only suppressed spark plugs of the type approved by STIHL – see "Specifications".

Removing the Spark Plug



- Remove the cover (1).
- Pull off the spark plug boot (2).
- Unscrew the spark plug (3).

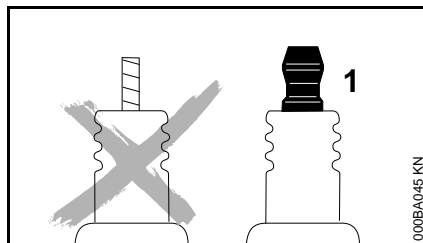
Checking the Spark Plug



- Clean dirty spark plug.
- Check electrode gap (A) and readjust if necessary – see "Specifications".
- Rectify the problems which have caused fouling of the spark plug.

Possible causes are:

- Too much oil in fuel mix.
- Dirty air filter.
- Unfavorable running conditions.



! WARNING

Arcing may occur if the adapter nut (1) is loose or missing. Working in an easily combustible or explosive atmosphere may cause a fire or an explosion. This can result in serious injuries or damage to property.

- Use resistor type spark plugs with a properly tightened adapter nut.

Installing the Spark Plug

- Screw the spark plug (3) into the cylinder.
- Tighten down the spark plug (3) with the combination wrench.
- Press the boot (2) firmly onto the spark plug.
- Fit the cover (1) and screw it down firmly.

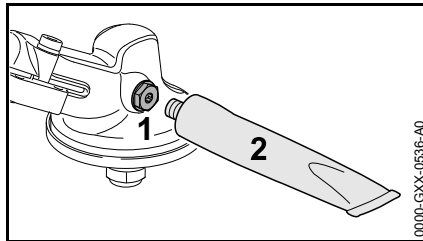
Engine Running Behavior

If engine running behavior is unsatisfactory even though the air filter is clean and the carburetor is properly adjusted, the cause may be the muffler.

Have the muffler checked for contamination (carbonization) by your servicing dealer.

STIHL recommends that you have servicing and repair work carried out exclusively by an authorized STIHL servicing dealer.

Lubricating the Gearbox



Check grease level after every 25 hours of operation and re-lubricate if necessary.

- Remove the screw plug (1).
- If no grease can be seen on the inside of the screw plug (1): Screw the tube (2) of STIHL gear lubricant (special accessory) into the filler hole.
- Squeeze no more than 5 g (1/5 oz) grease into the gearbox.



NOTICE

Do not completely fill the gearbox with grease.

- Unscrew the tube (2).
- Insert the screw plug (1) and tighten it down firmly.

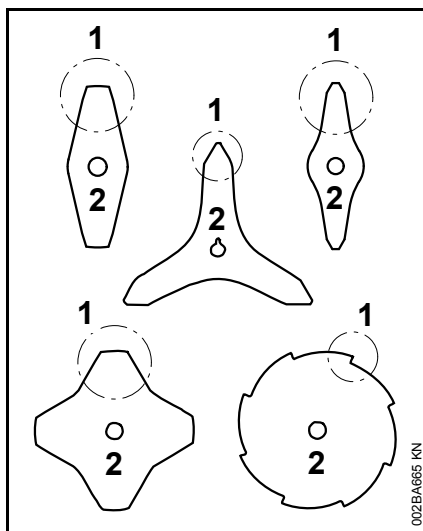
Storing the Machine

If out of use for periods of about 30 days or longer

- Drain and clean the fuel tank in a well-ventilated area.
- Dispose of fuel properly in accordance with local environmental requirements.
- If a manual fuel pump is fitted: Press the manual fuel pump at least 5 times.
- Start the engine and run it at idling speed until it stops
- Remove, clean and inspect the cutting attachment. Treat metal cutting attachments with protective oil.
- Thoroughly clean the machine
- Cleaning the Air Filter
- Store the machine in a dry and safe place, out of the reach of children and other unauthorized users

Sharpening Metal Cutting Blades

- Use a sharpening file (special accessory) to sharpen dull cutting attachments. In case of more serious wear or nicks: Resharpener with a grinder or have the work done by a dealer – STIHL recommends a STIHL servicing dealer.
- Sharpen frequently, take away as little metal as possible – two or three strokes of the file are usually enough.



- Resharpener the teeth (1) uniformly – do not alter the contour of the parent blade (2) in any way.

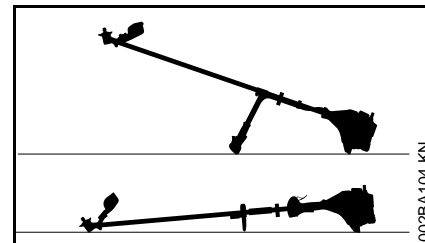
See cutting attachment packaging for additional sharpening instructions. Keep the packaging for future reference.

Balancing

- After resharpening about 5 times, check the cutting attachment for out-of-balance on a STIHL balancer (special accessory) or have it checked by a dealer and re-balanced as necessary – STIHL recommends a STIHL servicing dealer.

Maintaining the Mowing Head

Placing power tool on the ground



- Shut off the engine.
- Lay your power tool on its back so that the cutting attachment mounting face is pointing up.

Replacing Nylon Line

Always check the mowing head for signs of wear before replacing the nylon line.

! WARNING

If there are signs of serious wear, replace the complete mowing head.

The nylon mowing line is referred to as "nylon line" or "line" in the following.

The mowing head is supplied with illustrated instructions for replacing the nylon line. Keep the instructions for the mowing head in a safe place.

- If necessary, remove the mowing head.

Adjusting Nylon Line

STIHL SuperCut

Fresh line is advanced automatically if the remaining line is **at least 6 cm (2 1/2 in)** long. The blade on the deflector trims overlong lines to the correct length.

STIHL AutoCut

- With the engine running, hold the rotating mowing head above the grass surface.
- Tap it on the ground once – fresh line is advanced and the blade on the deflector trims it to the right length.

Fresh line is advanced every time the mowing head is tapped on the ground. For this reason observe the mowing head's cutting performance during operation. If the mowing head is tapped on the ground too often, the line limiting blade will unnecessarily cut off unused lengths of nylon line.

Line feed operates only if both lines are still at least **2.5 cm (1 in)** long.

STIHL TrimCut



WARNING

To reduce the risk of injury, always shut off the engine before adjusting the nylon line by hand.

- Pull the spool up – rotate it about 1/6 turn counterclockwise until it engages – and allow it to spring back.
- Pull ends of the lines outward.

Repeat the above procedure as necessary until both lines reach the limiter blade on the deflector.

Rotating the spool from one stop to the next advances about **4 cm (1 1/2 in)** of fresh line.

Replacing Nylon Line

STIHL PolyCut

Precut lengths of nylon line can be fitted to the PolyCut in place of the cutting blades.

STIHL DuroCut, STIHL PolyCut



WARNING

To reduce the risk of injury, always shut off the engine before refilling the mowing head.

- Fit precut lengths of nylon line in the mowing head as described in the instructions supplied.

Replacing Cutting Blades

STIHL PolyCut

Always check the mowing head for signs of wear before installing new cutting blades.



WARNING

If there are signs of serious wear, replace the complete mowing head.

The thermoplastic cutting blades are referred to as "blades" in the following.

The mowing head is supplied with illustrated instructions for replacing the blades. Keep the instructions for the mowing head in a safe place.



WARNING

To reduce the risk of injury, always shut off the engine before installing the blades.

- Remove the mowing head.
- Replace blades as shown in the illustrated instructions.
- Mount the mowing head on the machine.

Maintenance and Care

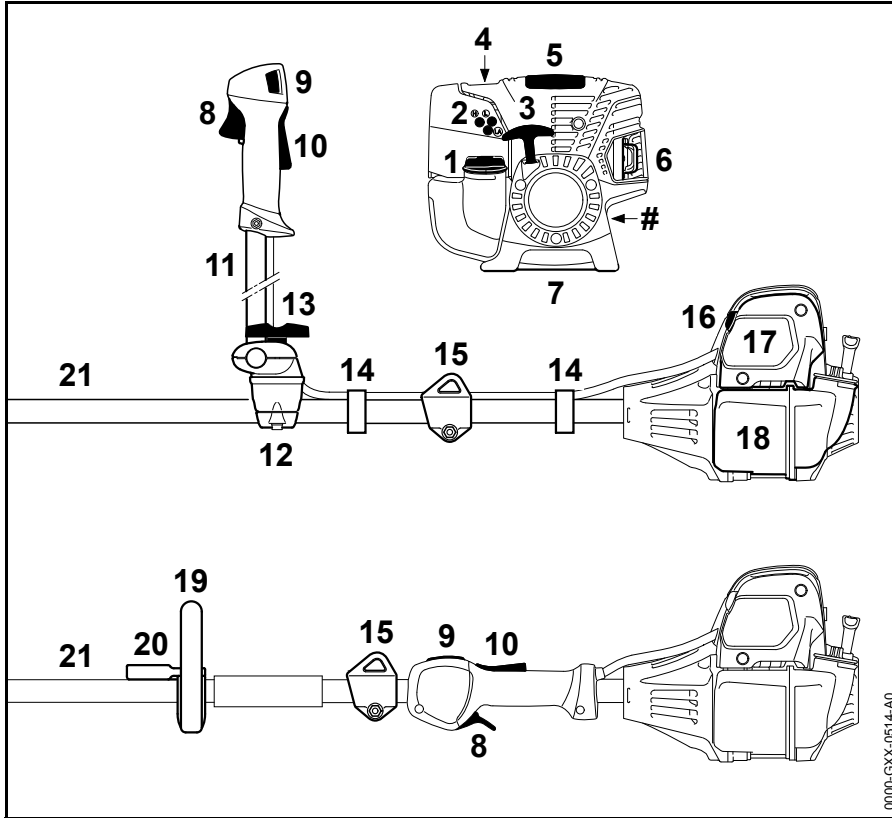
The following intervals apply for normal operating conditions. The specified intervals must be shortened accordingly when working for longer than normal or under difficult cutting conditions (extensive dust, etc.).		Before starting work	At the end of work and/or daily	Whenever tank is refilled	Weekly	Monthly	Annually	If faulty	If damaged	As required
Complete machine	Visual inspection (condition, leaks)	X		X						
	Clean		X							
	Replace any damaged parts	X							X	
Control handle	Function test	X		X						
Air filter	Visual inspection					X		X		
	Replace ²⁾								X	
Manual fuel pump (if present)	check	X								
	Have repaired by a specialist dealer ¹⁾								X	
Fuel pickup body in fuel tank	Have checked by dealer ¹⁾							X		
	Have replaced by servicing dealer ¹⁾						X		X	X
Fuel tank	Clean							X		X
Carburetor	Check idle adjustment, cutting attachment must not turn	X		X						
	Adjust idle speed									X
Spark plug	Set electrode gap							X		
	Replace after every 100 hours of operation									
Cooling air intakes	Visual inspection		X							
	Clean									X
Cylinder fins	Have cleaned by dealer ¹⁾						X			
Valve clearance	If power is low or cranking effort very high, have valve clearance checked and, if necessary, adjusted by dealer ¹⁾									X
Spark arresting screen in muffler	Check if installed	X								
	Check or replace ¹⁾						X			

The following intervals apply for normal operating conditions. The specified intervals must be shortened accordingly when working for longer than normal or under difficult cutting conditions (extensive dust, etc.).		Before starting work	At the end of work and/or daily	Whenever tank is refilled	Weekly	Monthly	Annually	If faulty	If damaged	As required
All accessible screws, nuts and bolts (not adjusting screws)	Tighten									X
Anti vibration elements (rubber buffers, springs)	Check	X						X		X
	Have replaced by servicing dealer ¹⁾								X	
Cutting attachment	Visual inspection	X		X						
	replace								X	
	Check for secure fit	X		X						
Metal cutting attachment	sharpen	X								X
Gearbox lubrication	check				X					
	top up									X
Safety information label	replace								X	

¹⁾ STIHL recommends STIHL dealers

²⁾ Only if there is a noticeable loss of engine power

Main Parts



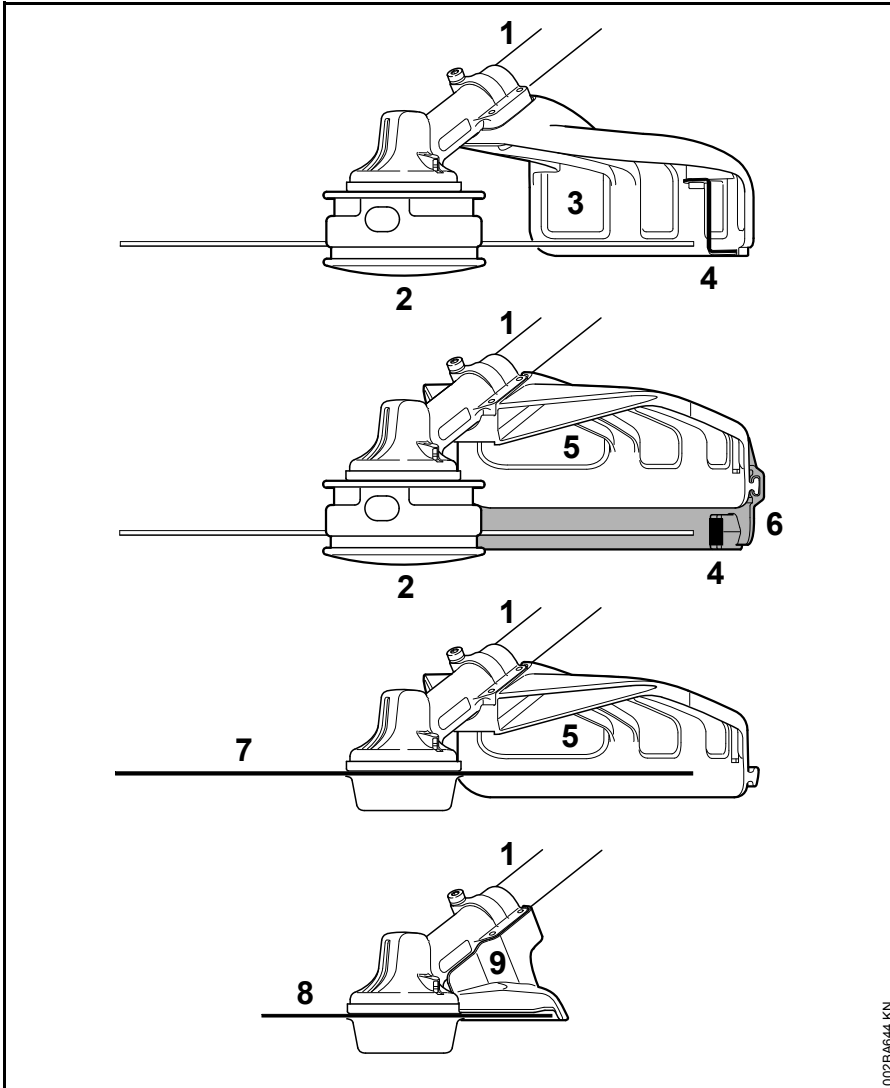
- 1 Fuel Filler Cap
- 2 Carburetor Adjusting Screws
- 3 Starter Grip
- 4 Manual Fuel Pump
- 5 Cover
- 6 Muffler with Spark Arresting Screen
- 7 Machine Support
- 8 Throttle Trigger
- 9 Stop Switch
- 10 Throttle Trigger Lockout
- 11 Bike Handle
- 12 Handle Support
- 13 Wing Screw
- 14 Throttle Cable Retainer
- 15 Carrying Ring
- 16 Choke Knob
- 17 Air Filter Cover
- 18 Fuel Tank
- 19 Loop Handle
- 20 Barrier Bar
- 21 Drive Tube
- # Serial Number

0000_G3XX_0514-A0

Definitions

- 1 Fuel Filler Cap**
For closing the fuel tank.
- 2 Carburetor Adjusting Screws**
For tuning the carburetor.
- 3 Starter Grip**
The grip of the pull starter, for starting the engine.
- 4 Manual Fuel Pump**
Provides additional fuel feed for a cold start.
- 5 Cover**
Covers and protects the spark plug.
- 6 Muffler with Spark Arresting Screen**
Muffler reduces engine exhaust noise and diverts exhaust gases away from operator.
Spark arresting screen is designed to reduce the risk of fire.
- 7 Machine Support**
For resting machine on the ground.
- 8 Throttle Trigger**
Controls the speed of the engine.
- 9. Stop Switch**
Switches the engine's ignition off and stops the engine.
- 10 Throttle Trigger Lockout**
Must be depressed before the throttle trigger can be activated.
- 11 Bike Handle**
For easy control of the machine with both hands during cutting work.
- 12 Handle Support**
Connects the shaft and bike handle.
- 13 Wing Screw**
Locks handlebar in selected position.
- 14 Throttle Cable Retainer**
Secures the throttle cable to the drive tube.
- 15 Carrying Ring**
Connects the trimmer/brushcutter to the harness.
- 16 Choke Knob**
Eases engine starting by enriching mixture.
- 17 Air Filter Cover**
Encloses and protects the air filter element.
- 18 Fuel Tank**
For fuel and oil mixture.
- 19 Loop Handle**
For easy control of machine during cutting work.
- 20 Barrier Bar**
Helps keep user's feet and legs clear of the cutting tool.
- 21 Drive Tube**
Encloses and protects the drive shaft between the engine and the gearbox.

- 1 Drive Tube
- 2 Mowing Head
- 3 Deflector for Mowing Heads only
- 4 Line Limiting Blade
- 5 Deflector for all Mowing Tools
- 6 Skirt for Mowing Heads
- 7 Metal Mowing Tool
- 8 Circular Saw Blade
- 9 Limit Stop for Circular Saw Blade only



0025A641 KN

Definitions

- 1 Drive Tube**
Encloses and protects the drive shaft between the coupling sleeve and gearbox.
- 2 Mowing Head**
The cutting attachment, i.e. mowing head, for different purposes.
- 3 Deflector for Mowing Heads only**
Designed to reduce the risk of injury from foreign objects flung backwards toward the operator by the cutting attachment and from contact with the cutting attachment.
- 4 Line Limiting Blade**
Metal blade at the deflector in order to keep the line of the mowing head at the proper length.
- 5 Deflector for all Mowing Tools**
Designed to reduce the risk of injury from foreign objects flung backwards toward the operator by the cutting attachment and from contact with the cutting attachment.
- 6 Skirt for Mowing Heads**
Extension attached to the bottom of the deflector when using mowing heads.
- 7 Metal Cutting Attachment**
The cutting attachment, i.e. blade, made from metal for different purposes.
- 8 Circular Saw Blade**
Cutting attachment made of metal for cutting wood.

- 9 Limit Stop for Circular Saw Blade only**
Designed to position the power tool steady against the wood in order to reduce the risk of injury from loss of control from reactive forces such as thrust out.

Specifications

EPA / CEPA

The Emission Compliance Period referred to on the Emissions Compliance Label indicates the number of operating hours for which the engine has been shown to meet Federal emission requirements.

Category

A = 300 hours

B = 125 hours

C = 50 hours

Engine

One-cylinder, four-stroke engine with mixture lubrication

Displacement:	36.3cm ³
Cylinder bore:	43 mm
Piston stroke:	25 mm
Engine power to ISO 8893:	1.4 kW (1.9 hp) at 8500 1/min
Idle speed:	2800 rpm
Cut-off speed (nominal value):	9500 rpm
Max. output shaft speed (cutting attachment):	7150 rpm
Valve clearance	
Inlet valve:	0.10 mm
Exhaust valve:	0.10 mm

Ignition system

Electronic magneto ignition

Spark plug (suppressed): NGK CMR 6 H,
STIHL ZK C 10,
BOSCH USR 4A
C

Electrode gap: 0.5 mm

This spark ignition system meets all requirements of the Canadian Interference-Causing Equipment Standard CAN ICES-2/NMB-2.

Fuel system

All-position diaphragm carburetor with integral fuel pump

Fuel tank capacity: 710 cm³ (0.71 l)

Weight

Dry, without cutting attachment and deflector

FS 131: 5.8 kg

FS 131 R: 5.5 kg

Overall length

without cutting attachment: 1800 mm

Equipment features

R Loop handle

Z Spark arresting screen in muffler


Maintenance and Repairs

Users of this machine may only carry out the maintenance and service work described in this user manual. All other repairs must be carried out by a servicing dealer.

STIHL recommends that you have servicing and repair work carried out exclusively by an authorized STIHL servicing dealer. STIHL dealers are regularly given the opportunity to attend training courses and are supplied with the necessary technical information.

When repairing the machine, only use replacement parts which have been approved by STIHL for this power tool or are technically identical. Only use high-quality replacement parts in order to avoid the risk of accidents and damage to the machine.

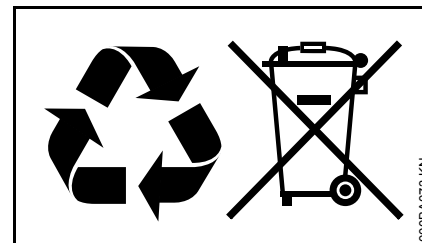
STIHL recommends the use of original STIHL replacement parts.

Original STIHL parts can be identified by the STIHL part number, the **STIHL** logo and the STIHL parts symbol  (the symbol may appear alone on small parts).

Disposal

Contact the local authorities or your STIHL servicing dealer for information on disposal.

Improper disposal can be harmful to health and pollute the environment.



- Take STIHL products including packaging to a suitable collection point for recycling in accordance with local regulations.
- Do not dispose with domestic waste.

STIHL Limited Emission Control Warranty Statement

This statement is given voluntarily, based on the MOU (Memorandum of Understanding) as agreed in April 1999 between Environmental Canada and STIHL Limited

Your Warranty Rights and Obligations

STIHL Limited is pleased to explain the Emission Control System Warranty on your equipment type engine. In Canada new 1999 and later model year small off-road equipment engines must be designed, built and equipped, at the time of sale, to meet the U.S. EPA regulations for small non road engines. The equipment engine must be free from defects in materials and workmanship which cause it to fail to conform with U.S. EPA standards for the first two years of engine use from the date of sale to the ultimate purchaser.

STIHL Limited must warrant the emission control system on your small off-road engine for the period of time listed below provided there has been no abuse, neglect or improper maintenance of your small off-road equipment engine.

Your emissions control system may include parts such as the carburetor or fuel-injection system, the ignition system, and catalytic converter. Also included may be hoses, belts, connectors or other emission-related assemblies.

Where a warrantable condition exists, STIHL Limited will repair your small off-road equipment engine at no cost to you,

including diagnosis (if the diagnostic work is performed at an authorized dealer), parts, and labor.

Manufacturer's Warranty Coverage

In Canada 1999 and later model year small off-road equipment engines are warranted for two years. If any emission-related part on your engine is defective, the part will be repaired or replaced by STIHL Limited free of charge.

Owner's Warranty Responsibilities:

As the small off-road equipment engine owner, you are responsible for the performance of the required maintenance listed in your instruction manual. STIHL Limited recommends that you retain all receipts covering maintenance on your small off-road equipment engine, but STIHL Limited cannot deny warranty solely for the lack of receipts or for your failure to ensure the performance of all scheduled maintenance.

Any replacement part or service that is equivalent in performance and durability may be used in non-warranty maintenance or repairs, and shall not reduce the warranty obligations of the engine manufacturer.

As the small off-road equipment engine owner, you should be aware, however, that STIHL Limited may deny you warranty coverage if your small off-road equipment engine or a part has failed due to abuse, neglect, improper maintenance or unapproved modifications.

You are responsible for presenting your small off-road equipment engine to a STIHL service center as soon as a

problem exists. The warranty repairs will be completed in a reasonable amount of time, not to exceed 30 days.

If you have any questions regarding your warranty rights and responsibilities, please contact a STIHL customer service representative at www.stihl.ca

or you can write to:

STIHL Ltd.,
1515 Sise Road
Box 5666
CA-LONDON ONTARIO; N6A 4L6

Coverage by STIHL Limited

STIHL Limited warrants to the ultimate purchaser and each subsequent purchaser that your small off-road equipment engine will be designed, built and equipped, at the time of sale, to meet all applicable regulations. STIHL Limited also warrants to the initial purchaser and each subsequent purchaser that your engine is free from defects in materials and workmanship which cause the engine to fail to conform with applicable regulations for a period of two years.

Warranty Period

The warranty period will begin on the date the utility equipment engine is purchased by the initial purchaser and you have signed and sent back the warranty card to STIHL Ltd. If any emission-related part on your engine is defective, the part will be replaced by STIHL Limited at no cost to the owner. Any warranted part which is not scheduled for replacement as required maintenance, or which is scheduled only for regular inspection to the effect of "repair or replace as necessary" will be warranted for the warranty period. Any

warranted part which is scheduled for replacement as required maintenance will be warranted for the period of time up to the first scheduled replacement point for that part.

Diagnosis

You, as the owner, shall not be charged for diagnostic labor which leads to the determination that a warranted part is defective. However, if you claim warranty for a component and the machine is tested as non-defective, STIHL Limited will charge you for the cost of the emission test. Mechanical diagnostic work will be performed at an authorized STIHL servicing dealer. Emission test may be performed either at

STIHL Incorporated,
536 Viking Drive, P.O. Box 2015,
Virginia Beach, VA 23452

or at any independent test laboratory.

Warranty Work

STIHL Limited shall remedy warranty defects at any authorized STIHL servicing dealer or warranty station. Any such work shall be free of charge to the owner if it is determined that a warranted part is defective. Any manufacturer-approved or equivalent replacement part may be used for any warranty maintenance or repairs on emission-related parts and must be provided without charge to the owner. STIHL Limited is liable for damages to other engine components caused by the failure of a warranted part still under warranty.

The following list specifically defines the emission-related warranted parts:

- Air Filter
- Carburetor (if applicable)
- Fuel Pump
- Choke (Cold Start Enrichment System) (if applicable)
- Control Linkages
- Intake Manifold
- Magneto or Electronic Ignition System (Ignition Module or Electronic Control Unit)
- Fly Wheel
- Spark Plug
- Injection Valve (if applicable)
- Injection Pump (if applicable)
- Throttle Housing (if applicable)
- Cylinder
- Muffler
- Catalytic Converter (if applicable)
- Fuel Tank
- Fuel Cap
- Fuel Line
- Fuel Line Fittings
- Clamps
- Fasteners

Where to make a Claim for Warranty Service

Bring the product to any authorized STIHL servicing dealer and present the signed warranty card.

Maintenance Requirements

The maintenance instructions in this manual are based on the application of the recommended 2-stroke fuel-oil mixture (see also instruction "Fuel"). Deviations from this recommendation regarding quality and mixing ratio of fuel and oil may require shorter maintenance intervals.

Limitations

This Emission Control Systems Warranty shall not cover any of the following:

1. repair or replacement required because of misuse, neglect or lack of required maintenance
2. repairs improperly performed or replacements not conforming to STIHL Limited specifications that adversely affect performance and/or durability, and alterations or modifications not recommended or approved in writing by STIHL Limited
3. replacement of parts and other services and adjustments necessary for required maintenance at and after the first scheduled replacement point

Table des matières

Indications concernant la présente Notice d'emploi	47	Affûtage des outils de coupe métalliques	85
Prescriptions de sécurité et techniques de travail	47	Entretien de la tête faucheuse	85
Combinaisons autorisées d'outil de coupe, de capot protecteur, de poignée et de harnais	59	Instructions pour la maintenance et l'entretien	87
Outils à rapporter autorisés	62	Principales pièces	89
Montage du guidon	62	Caractéristiques techniques	92
Montage de la poignée circulaire	64	Instructions pour les réparations	93
Réglage du câble de commande des gaz	65	Mise au rebut	94
Montage de l'anneau de suspension	66	Garantie de la Société STIHL Limited relative au système antipollution	94
Montage du capot protecteur	66		
Montage de l'outil de coupe	67		
Carburant	70		
Ravitaillement en carburant	72		
Utilisation du harnais	73		
Équilibrage	74		
Mise en route / arrêt du moteur	75		
Transport de l'appareil	77		
Instructions de service	80		
Remplacement du filtre à air	80		
Gestion moteur	81		
Réglage du carburateur	81		
Grille pare-étincelles dans le silencieux	82		
Bougie	83		
Fonctionnement du moteur	84		
Graissage du réducteur	84		
Rangement	84		

Chère cliente, cher client,

nous vous félicitons d'avoir choisi un produit de qualité de la société STIHL.

Ce produit a été fabriqué avec les procédés les plus modernes et les méthodes de surveillance de qualité les plus évoluées. Nous mettons tout en œuvre pour que cette machine vous assure les meilleurs services, de telle sorte que vous puissiez en être parfaitement satisfait.

Pour toute question concernant cette machine, veuillez vous adresser à votre revendeur ou directement à l'importateur de votre pays.



Dr. Nikolas Stihl

STIHL

Indications concernant la présente Notice d'emploi

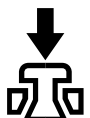
Pictogrammes

Les pictogrammes appliqués sur la machine sont expliqués dans la présente Notice d'emploi.

Suivant la machine et son équipement spécifique, les pictogrammes suivants peuvent y être appliqués.



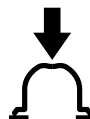
Réservoir à carburant ; mélange d'essence et d'huile moteur



Actionner la soupape de décompression



Pompe d'amorçage manuelle



Actionner la pompe d'amorçage manuelle



Tube de graisse



Canalisation de l'air aspiré : utilisation en été



Canalisation de l'air aspiré : utilisation en hiver



Chauffage de poignées

Repérage des différents types de textes



AVERTISSEMENT

Avertissement contre un risque d'accident et de blessure ainsi que de graves dégâts matériels.



AVIS

Avertissement contre un risque de détérioration de la machine ou de certains composants.

Développement technique

La philosophie de STIHL consiste à poursuivre le développement continu de toutes ses machines et de tous ses dispositifs ; c'est pourquoi nous devons nous réserver tout droit de modification de nos produits, en ce qui concerne la forme, la technique et les équipements.

On ne pourra donc en aucun cas se prévaloir des indications et illustrations de la présente Notice d'emploi à l'appui de revendications quelconques.

Prescriptions de sécurité et techniques de travail



En travaillant avec cette machine, il faut respecter des prescriptions de sécurité particulières, parce que l'outil de coupe tourne à très haute vitesse.



Avant la première mise en service, lire attentivement et intégralement la présente Notice d'emploi. La conserver précieusement pour pouvoir la relire lors d'une utilisation ultérieure. Un utilisateur qui ne respecte pas les instructions de la Notice d'emploi risque de causer un accident grave, voire mortel.

Respecter les prescriptions de sécurité nationales spécifiques publiées par ex. par les caisses professionnelles d'assurances mutuelles, caisses de sécurité sociale, services pour la protection du travail et autres organismes compétents.

Une personne qui travaille pour la première fois avec cette machine doit demander au vendeur ou à une autre personne compétente de lui montrer comment l'utiliser en toute sécurité – ou participer à un stage de formation.

Les jeunes encore mineurs ne sont pas autorisés à travailler avec cette machine – une seule exception est permise pour des apprentis de plus de 16 ans travaillant sous surveillance.

Veiller à ce que des spectateurs éventuels, en particulier des enfants, ou des animaux restent à une distance suffisante.

Lorsque la machine n'est pas utilisée, la ranger en veillant à ce qu'elle ne présente aucun danger pour d'autres personnes. Conserver la machine à un endroit adéquat, de telle sorte qu'elle ne puisse pas être utilisée sans autorisation.

L'utilisateur est responsable des blessures qui pourraient être infligées à d'autres personnes, de même que des dégâts matériels causés à autrui.

Ne confier la machine qu'à des personnes familiarisées avec ce modèle et sa manipulation – toujours y joindre la Notice d'emploi.

L'utilisation de dispositifs à moteur bruyants peut être soumise à des prescriptions nationales ou locales précisant les créneaux horaires à respecter.

L'utilisateur de la machine doit être reposé, en bonne santé et en bonne condition physique.

Il est conseillé à toute personne qui ne doit pas se fatiguer pour des raisons de santé de consulter son médecin pour savoir si l'utilisation d'un dispositif à moteur ne présente aucun risque.

Uniquement pour les personnes qui portent un stimulateur cardiaque : le système d'allumage de cette machine engendre un champ électromagnétique de très faible intensité. Une influence sur certains types de stimulateurs cardiaques ne peut pas être totalement exclue. Afin d'écartier tout risque pour la santé, STIHL recommande aux

personnes portant un stimulateur cardiaque de consulter leur médecin traitant et le fabricant du stimulateur cardiaque.

Il est interdit de travailler avec la machine après avoir consommé de l'alcool ou de la drogue ou bien après avoir pris des médicaments qui risquent d'affecter la réactivité.

Utiliser la machine – suivant les outils de coupe assignés – exclusivement pour faucher de l'herbe ou pour couper des plantes sauvages, des buissons, des broussailles, des arbustes etc.

Il est interdit d'utiliser cette machine pour d'autres travaux – **risque d'accident !**

Monter exclusivement des outils de coupe ou accessoires autorisés par STIHL pour cette machine, ou des pièces similaires du point de vue technique. Pour toute question à ce sujet, s'adresser à un revendeur spécialisé. Utiliser exclusivement des outils ou accessoires de haute qualité. Sinon, des accidents pourraient survenir ou la machine risquerait d'être endommagée.

STIHL recommande d'utiliser des outils et accessoires d'origine STIHL. Les propriétés de ceux-ci sont adaptées de manière optimale au produit et aux exigences de l'utilisateur.

N'apporter aucune modification à cette machine – cela risquerait d'en compromettre la sécurité. STIHL décline toute responsabilité pour des blessures ou des dégâts matériels occasionnés en cas d'utilisation d'équipements rapportés non autorisés.

Pour le nettoyage de cette machine, ne pas utiliser un nettoyeur haute pression. Le puissant jet d'eau risquerait d'endommager certaines pièces de la machine.

Le capot protecteur de la machine ne peut pas protéger l'utilisateur contre tous les objets (pierres, morceaux de verre ou de fil de fer etc.) projetés par l'outil de coupe. Ces objets peuvent ricocher et toucher l'utilisateur.

Vêtements et équipements

Porter des vêtements et équipements de protection réglementaires.



Les vêtements doivent être appropriés et ne doivent pas être gênants. Porter des vêtements bien ajustés – ne pas porter une blouse de travail, mais une combinaison.



Ne pas porter des vêtements qui risqueraient de se prendre dans le bois, les broussailles ou les pièces en mouvement de la machine. Ne porter ni écharpe ou cravate, ni bijoux. Les personnes aux cheveux longs doivent les nouer et les assurer de telle sorte qu'ils soient maintenus au-dessus des épaules.



Porter des chaussures de sécurité avec semelle antidérapante et coquille d'acier.

Seulement pour le travail avec des têtes faucheuses, il est permis de porter des chaussures robustes avec semelle crantée antidérapante.

! AVERTISSEMENT



Pour réduire le risque de blessure oculaire, porter des lunettes de protection couvrant étroitement les yeux et conformes à la norme EN 166. Veiller à ce que les lunettes de protection soient bien ajustées.

Porter une visière pour la protection du visage et veiller à ce qu'elle soit bien ajustée. La visière à elle seule n'est pas une protection suffisante des yeux.

Porter un dispositif antibruit « personnel » – par ex. des capsules protège-oreilles.

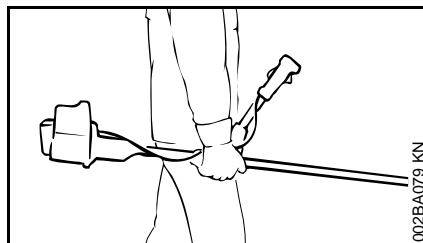
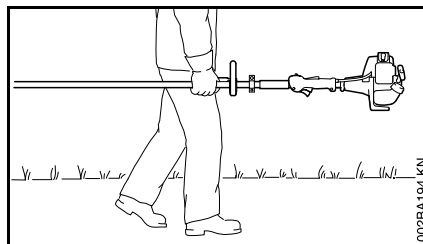
Pour les travaux de dépressage, la coupe de broussailles assez hautes et chaque fois qu'un risque de chute d'objets se présente, porter un casque.



Portez des gants de travail robustes en matériau résistant (par ex. cuir).

STIHL propose une gamme complète d'équipements pour la protection individuelle.

Transport de la machine



Toujours arrêter le moteur.

Porter la machine en la laissant suspendue au harnais ou en la tenant par le tube, de telle sorte qu'elle soit bien équilibrée.

Monter un protecteur de transport pour éviter tout risque de blessure en cas de contact avec l'outil de coupe métallique, même pour un transport sur de courtes distances – voir aussi « Transport ».



Ne pas toucher aux pièces très chaudes de la machine ou au réducteur – **risque de brûlure !**

Pour le transport dans un véhicule : assurer la machine de telle sorte qu'elle ne risque pas de se renverser, d'être endommagée ou de perdre du carburant.

Ravitaillement



L'essence est un carburant extrêmement inflammable – rester à une distance suffisante de toute flamme ou source d'inflammation – ne pas renverser du carburant – ne pas fumer.

Arrêter le moteur avant de refaire le plein.

Ne pas refaire le plein tant que le moteur est très chaud – du carburant peut déborder – **risque d'incendie !**

Ouvrir prudemment le bouchon du réservoir à carburant, afin que la surpression interne s'échappe lentement et que du carburant ne soit pas éjecté.

Faire le plein exclusivement à un endroit bien aéré. Si l'on a renversé du carburant, essuyer immédiatement la machine. Ne pas se renverser du carburant sur les vêtements – le cas échéant, se changer immédiatement.





Après le ravitaillement, le bouchon du réservoir doit être serré le plus fermement possible.

Cela réduit le risque de desserrage du bouchon du réservoir sous l'effet des vibrations du moteur, et de fuite de carburant.

S'assurer que la machine ne présente pas de fuite – si l'on constate une fuite de carburant, ne pas mettre le moteur en marche – **danger de mort par suite de brûlures !**

Avant la mise en route du moteur

S'assurer que la machine se trouve en parfait état pour un fonctionnement en toute sécurité – conformément aux indications des chapitres correspondants de la Notice d'emploi :

- Contrôler l'étanchéité du système d'alimentation en carburant, en examinant tout particulièrement les pièces visibles telles que le bouchon du réservoir, les raccords de flexibles, la pompe d'amorçage manuelle (seulement sur les machines munies d'une pompe d'amorçage manuelle). Ne pas démarrer le moteur en cas de manque d'étanchéité ou d'endommagement – **risque d'incendie !** Avant de remettre la machine en service, la faire réparer par le revendeur spécialisé.
- Utiliser exclusivement la combinaison autorisée d'outil de coupe, de capot protecteur, de poignée et de harnais ; toutes les pièces doivent être montées impeccablement.
- Le bouton d'arrêt doit pouvoir être enfoncé facilement.
- Le levier de starter, le blocage de gâchette d'accélérateur et la gâchette d'accélérateur doivent fonctionner facilement – la gâchette d'accélérateur doit revenir automatiquement en position de ralenti, sous l'effet de son ressort. En partant des positions  et  du levier de starter, ce levier doit revenir dans la position de marche

normale **I**, sous l'effet de son ressort, lorsqu'on enfonce en même temps le blocage de gâchette d'accélérateur et la gâchette d'accélérateur.

- Contrôler le serrage du contact de câble d'allumage sur la bougie – un contact desserré peut provoquer un jaillissement d'étincelles risquant d'enflammer le mélange carburé qui aurait pu s'échapper – **risque d'incendie !**
- Outil de coupe ou outil à rapporter : monté correctement, bien serré et dans un état impeccable.
- Contrôler si les dispositifs de protection (par ex. le capot protecteur de l'outil de coupe, le bol glisseur) ne sont pas endommagés ou usés. Remplacer les pièces endommagées. Il est interdit d'utiliser la machine avec un capot protecteur endommagé ou un bol glisseur usé (lorsque l'inscription et les flèches ne sont plus reconnaissables).
- N'apporter aucune modification aux dispositifs de commande et de sécurité.
- Les poignées doivent être propres et sèches, sans huile ni autres salissures – un point très important pour que l'on puisse manier la machine en toute sécurité.
- Ajuster le harnais et la poignée (les poignées) suivant la taille de l'utilisateur. Suivre les indications du chapitre « Utilisation du harnais » – « Équilibrage ».

Il est interdit d'utiliser la machine si elle ne se trouve pas en parfait état de fonctionnement – **risque d'accident !**

Pour parer à toute éventualité, à l'utilisation d'un harnais : s'entraîner pour savoir se dégager rapidement de la machine. Lors de cet exercice, ne pas jeter la machine sur le sol, pour ne pas risquer de l'endommager.

Mise en route du moteur

Aller au moins à 3 mètres du lieu où l'on a fait le plein – et ne pas lancer le moteur dans un local fermé.

Pour lancer le moteur, il faut impérativement se tenir bien d'aplomb, sur une aire stable et plane – l'outil de coupe ne doit entrer en contact ni avec le sol, ni avec un objet quelconque, car il peut déjà être entraîné au démarrage du moteur.

La machine doit être maniée par une seule personne – ne pas tolérer la présence d'autres personnes dans un rayon de 15 m – pas même à la mise en route du moteur – **risque de blessure** par des objets projetés !



Éviter tout contact avec l'outil de coupe – **risque de blessure !**



Ne pas lancer le moteur en tenant la machine à bout de bras – pour la mise en route du moteur, procéder comme décrit dans la Notice d'emploi. Lorsqu'on relâche la gâchette d'accélérateur, l'outil de coupe tourne encore pendant quelques instants – **par inertie !**

Contrôler le ralenti du moteur : au ralenti – avec gâchette d'accélérateur relâchée – l'outil de coupe doit être arrêté.

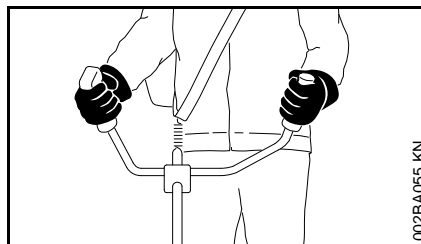
Écarter toute matière aisément inflammable (par ex. copeaux, morceaux d'écorce, herbe sèche, carburant) du flux des gaz d'échappement et de la surface du silencieux très chauds – **risque d'incendie !**

Maintien et guidage de la machine

Toujours tenir fermement la machine par les poignées, à deux mains.

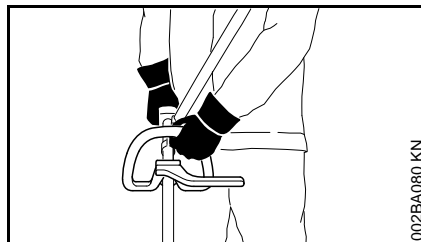
Toujours se tenir dans une position stable et sûre.

Sur les versions à guidon



Tenir la poignée de commande de la main droite et l'autre poignée du guidon de la main gauche.

Sur les versions à poignée circulaire

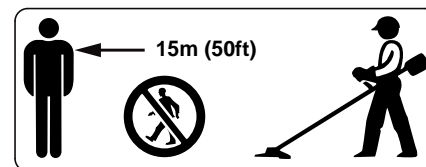


Sur les versions à poignée circulaire ou à poignée circulaire avec protection (pour garder une distance de sécurité entre l'outil et les pieds et jambes de l'utilisateur), tenir la poignée circulaire de la main gauche et la poignée de commande de la main droite – ceci est également valable pour les gauchers.

Pendant le travail

Toujours se tenir dans une position stable et sûre.

En cas d'urgence ou de danger imminent, arrêter immédiatement le moteur – appuyer sur le bouton d'arrêt.



La machine peut projeter des objets à une grande distance de l'aire de travail. C'est pourquoi, à part l'utilisateur, personne ne doit se trouver dans un rayon de 15 m de la machine en marche. Respecter aussi cette distance par rapport à des véhicules, des vitres etc. – **risque de dégâts matériels !** Même à une distance de plus de 15 m, des objets projetés peuvent encore présenter des risques.

Veiller à ce que le ralenti soit correctement réglé – de telle sorte qu'après le relâchement de la gâchette d'accélérateur l'outil de coupe ne tourne plus.

Contrôler régulièrement et rectifier si nécessaire le réglage du ralenti. Si l'outil de coupe tourne au ralenti, malgré un réglage correct, faire réparer la machine par le revendeur spécialisé. STIHL recommande de s'adresser au revendeur spécialisé STIHL.

Faire particulièrement attention sur un sol glissant – mouillé ou couvert de neige – de même qu'en travaillant à flanc de coteau ou sur un sol inégal etc. – **risque de dérapage !**

Faire attention aux obstacles : souches d'arbres, racines – **pour ne pas risquer de trébucher !**

Travailler seulement depuis le sol, ne jamais monter sur un échafaudage instable – jamais sur une échelle ou une nacelle élévatrice.

En travaillant avec des protège-oreilles, il faut faire tout particulièrement attention – parce que des bruits signalant un danger (cris, signaux sonores etc.) sont moins bien perceptibles.

Faire des pauses à temps pour ne pas risquer d'atteindre un état de fatigue ou d'épuisement qui pourrait **entraîner un accident !**

Travailler calmement, de manière bien réfléchie – seulement dans de bonnes conditions de visibilité et d'éclairage. Prendre les précautions utiles pour exclure le risque de blesser d'autres personnes.



Dès que le moteur est en marche, il dégage des gaz d'échappement toxiques. Ces gaz peuvent être inodores et invisibles, et renfermer des hydrocarbures et du benzène imbrûlés. Ne jamais travailler avec la machine dans des locaux fermés ou mal aérés – pas non plus si le moteur est équipé d'un catalyseur.

En travaillant dans des fossés, des dépressions de terrain ou des espaces restreints, toujours prendre soin d'assurer une ventilation suffisante – **danger de mort par intoxication !**

En cas de nausée, de maux de tête, de troubles de la vue (par ex. rétrécissement du champ de vision) ou de l'ouïe, de vertige ou de manque de concentration croissant, arrêter immédiatement le travail – ces symptômes peuvent, entre autres, être

causés par une trop forte concentration de gaz d'échappement dans l'air ambiant – **risque d'accident !**

Éviter les émissions de bruits et de gaz d'échappement inutiles. Ne pas laisser le moteur en marche lorsque la machine n'est pas utilisée – accélérer seulement pour travailler.

Ne pas fumer en travaillant ou à proximité de la machine – **risque d'incendie !** Des vapeurs d'essence inflammables peuvent s'échapper du système d'alimentation en carburant.

Les poussières, les vapeurs et les fumées dégagées au cours du travail peuvent nuire à la santé. En cas de fort dégagement de poussière ou de fumée, porter un masque respiratoire.

Si la machine a été soumise à des sollicitations sortant du cadre de l'utilisation normale (par ex. si elle a été soumise à des efforts violents, en cas de choc ou de chute), avant de la remettre en marche, il faut impérativement s'assurer qu'elle se trouve en parfait état de fonctionnement – voir également « Avant la mise en route du moteur ».

Contrôler tout particulièrement l'étanchéité du système de carburant et la fiabilité des dispositifs de sécurité. Il ne faut en aucun cas continuer d'utiliser la machine si la sécurité de son fonctionnement n'est pas garantie. En cas de doute, consulter le revendeur spécialisé.

Ne pas travailler avec la commande d'accélérateur en position de démarrage – dans cette position de la gâchette d'accélérateur, la régulation du régime du moteur n'est pas possible.



Ne jamais travailler sans le capot protecteur qui convient pour la machine et pour l'outil de coupe utilisé – **risque de blessure par des objets projetés !**



Examiner le terrain : des objets durs – pierres, morceaux de métal ou autres – peuvent être projetés au loin – même à plus de 15 m – **risque de blessure !** – et risquent d'endommager l'outil de coupe ou de causer des dégâts matériels (par ex. sur des véhicules garés, vitres etc.).

Il faut prendre des précautions particulières en travaillant sur des terrains difficiles, à végétation dense.

En fauchant dans les broussailles hautes ou sous les buissons et haies : tenir l'outil de coupe à une hauteur de travail d'au moins 15 cm du sol – pour ne pas mettre en danger les petits animaux cachés.

Avant de quitter la machine : arrêter le moteur.

Vérifier l'outil de coupe à de courts intervalles réguliers – et immédiatement si le comportement de l'outil change perceptiblement :

- Arrêter le moteur, maintenir fermement la machine, attendre que l'outil de coupe s'arrête.
- Contrôler l'état et la bonne fixation – s'assurer qu'aucun début de fissuration n'est perceptible.
- Vérifier l'affûtage.
- Des outils de coupe défectueux ou émoussés doivent être remplacés immédiatement, également en cas de fissures capillaires minimales.

Enlever régulièrement l'herbe et les broussailles enchevêtrées dans la prise de l'outil de coupe – en cas d'engorgement, nettoyer la zone de l'outil de coupe ou du capot protecteur.

Pour le remplacement de l'outil de coupe, arrêter le moteur – **risque de blessure !**



À l'utilisation, le réducteur devient très chaud. Ne pas toucher au carter du réducteur – **risque de brûlure !**

Si un outil de coupe en rotation heurte une pierre ou un autre objet dur, cela peut provoquer un jaillissement d'étincelles et, dans certaines circonstances, mettre le feu à des matières aisément inflammables. Les plantes sèches et les broussailles sont aussi facilement inflammables, surtout par temps chaud et sec. En présence d'un risque d'incendie, ne pas utiliser des outils de coupe à proximité de matières inflammables ou de plantes ou

broussailles sèches. Il est impératif de demander à l'autorité forestière responsable s'il y a un risque d'incendie.

Utilisation de têtes faucheuses

Compléter le capot protecteur de l'outil de coupe avec les pièces à rapporter indiquées dans la Notice d'emploi.

Utiliser exclusivement un capot protecteur muni d'un couteau monté conformément aux prescriptions, pour rogner les fils de coupe à la longueur autorisée.

Pour réajuster la longueur du fil de coupe sur les têtes faucheuses à sortie de fil manuelle, il faut impérativement arrêter le moteur – **risque de blessure !**

L'utilisation, interdite, avec des fils de coupe trop longs réduit le régime de travail du moteur. L'embrayage patine alors continuellement, ce qui entraîne une surchauffe et la détérioration d'éléments fonctionnels importants (par ex. embrayage, pièces en matière synthétique du carter) – des dommages subséquents, par ex. le fait que l'outil de coupe soit entraîné au ralenti, présentent un **risque de blessure !**

Utilisation d'outils de coupe métalliques

STIHL recommande d'utiliser des outils de coupe métalliques d'origine STIHL. Leurs caractéristiques sont optimisées tout spécialement pour cette machine, et pour répondre aux exigences de l'utilisateur.

Les outils de coupe métalliques tournent à très haute vitesse. Cela engendre des forces qui agissent sur la machine, sur l'outil de coupe et sur les végétaux coupés.

Il faut impérativement affûter les outils de coupe métalliques à intervalles réguliers, en respectant les prescriptions.

Des outils de coupe métalliques affûtés de façon irrégulière engendrent un balourd qui peut soumettre la machine à des sollicitations extrêmes – **des pièces risquent de casser !**

Des tranchants émoussés ou pas correctement affûtés peuvent soumettre l'outil de coupe métallique à des contraintes supérieures à la normale – l'outil risque de se fissurer ou d'éclater – **risque de blessure !**

Après tout contact avec des objets durs (par ex. pierres, roches, objets métalliques), contrôler si l'outil de coupe métallique n'a pas été endommagé (début de fissuration, déformations etc.). Il faut impérativement éliminer les bavures ou autres refoulements de matière visibles, car ils risquent de se détacher à l'utilisation de l'outil de coupe et les éclats peuvent être projetés au loin – **risque de blessure !**

Ne pas continuer d'utiliser des outils de coupe endommagés ou présentant un début de fissuration – et ne pas non plus les réparer – par ex. par soudage ou redressage – modification de la forme (balourd).

Des particules ou des éclats pourraient se détacher, être projetés à haute vitesse et toucher l'utilisateur ou une autre personne – **risque de blessures très graves !**

Afin de réduire les risques décrits ci-avant, qui peuvent se présenter à l'utilisation d'un outil de coupe métallique, il faut veiller à ne jamais employer un outil de coupe métallique de trop grand diamètre. L'outil ne doit pas être trop lourd. Il doit être fabriqué en matières de qualité suffisante et avoir la géométrie (forme, épaisseur) qui convient.

Si l'on utilise un outil de coupe métallique qui n'a pas été fabriqué par STIHL, son poids, son épaisseur et son diamètre ne doivent en aucun cas dépasser ceux du plus gros outil de coupe métallique STIHL autorisé pour cette machine, et il doit avoir exactement la même forme que cet outil d'origine STIHL – **risque de blessure !**

Vibrations

Au bout d'une assez longue durée d'utilisation de la machine, les vibrations peuvent provoquer une perturbation de l'irrigation sanguine des mains (« maladie des doigts blancs »).

Il n'est pas possible de fixer une durée d'utilisation valable d'une manière générale, car l'effet des vibrations dépend de plusieurs facteurs.

Les précautions suivantes permettent de prolonger la durée d'utilisation :

- garder les mains au chaud (porter des gants chauds) ;
- faire des pauses.

Les facteurs suivants raccourcissent la durée d'utilisation :

- tendance personnelle à souffrir d'une mauvaise irrigation sanguine (symptômes : doigts souvent froids, fourmillements) ;
- utilisation à de basses températures ambiantes ;
- effort exercé sur les poignées (une prise très ferme gêne l'irrigation sanguine).

Si l'on utilise régulièrement la machine pendant de longues périodes et que les symptômes indiqués ci-avant (par ex. fourmillements dans les doigts) se manifestent à plusieurs reprises, il est recommandé de se faire ausculter par un médecin.

Maintenance et réparations

La machine doit faire l'objet d'une maintenance régulière. Effectuer exclusivement les opérations de maintenance et les réparations décrites dans la Notice d'emploi. Faire exécuter toutes les autres opérations par un revendeur spécialisé.

STIHL recommande de faire effectuer les opérations de maintenance et les réparations exclusivement chez le revendeur spécialisé STIHL. Les revendeurs spécialisés STIHL participent régulièrement à des stages de perfectionnement et ont à leur disposition les informations techniques requises.

Utiliser exclusivement des pièces de rechange de haute qualité. Sinon, des accidents pourraient survenir et la

machine risquerait d'être endommagée. Pour toute question à ce sujet, s'adresser à un revendeur spécialisé.

STIHL recommande d'utiliser des pièces de rechange d'origine STIHL. Leurs caractéristiques sont optimisées tout spécialement pour cette machine, et pour répondre aux exigences de l'utilisateur.

Pour la réparation, la maintenance et le nettoyage, toujours **arrêter le moteur et débrancher le câble d'allumage de la bougie – risque de blessure** en cas de mise en route inopinée du moteur ! – Exception : réglage du carburateur et du ralenti.

Lorsque le câble d'allumage est débranché de la bougie ou que la bougie est dévissée, ne pas faire tourner le moteur avec le lanceur – **risque d'incendie** par suite d'un jaillissement d'étincelles d'allumage à l'extérieur du cylindre !

Ne pas procéder à la maintenance de la machine à proximité d'un feu et ne pas non plus ranger la machine à proximité d'un feu – le carburant présente un **risque d'incendie !**

Contrôler régulièrement l'étanchéité du bouchon du réservoir à carburant.

Utiliser exclusivement une bougie autorisée par STIHL – voir « Caractéristiques techniques » – et dans un état impeccable.

Vérifier le câble d'allumage (isolement dans un état impeccable, bon serrage du raccord).

S'assurer que le silencieux est dans un état impeccable.

Ne pas travailler avec la machine si le silencieux est endommagé ou manque – **risque d'incendie ! – Lésion de l'ouïe !**

Ne pas toucher au silencieux très chaud – **risque de brûlure !**

L'état des éléments antivibratoires AV a une influence sur les caractéristiques du point de vue vibrations – c'est pourquoi il faut régulièrement contrôler les éléments AV.

L'entretien, le remplacement ou la réparation des dispositifs et systèmes de contrôle des émissions peuvent être effectués par tout établissement de réparation de moteurs non routiers ou par un particulier. Toutefois, si vous faites une demande de garantie pour un composant qui n'a pas été réparé ou entretenu correctement, STIHL peut refuser la couverture.

Pour tout entretien, veuillez vous référer au tableau d'entretien et à la déclaration de garantie qui se trouvent à la fin du manuel d'instructions.

Symboles appliqués sur les dispositifs de protection

Une **flèche** sur le capot protecteur pour outils de coupe indique le sens de rotation des outils de coupe.

Certains des symboles suivants se trouvent sur la face extérieure du capot protecteur et attirent l'attention sur la combinaison outil de coupe / capot protecteur autorisée.



Il est permis d'utiliser ce capot protecteur avec des têtes faucheuses.



Il est interdit d'utiliser ce capot protecteur avec des têtes faucheuses.



Il est permis d'utiliser ce capot protecteur avec des couteaux à herbe.



Il est interdit d'utiliser ce capot protecteur avec des couteaux à herbe.



Il est permis d'utiliser ce capot protecteur avec des couteaux à taillis.



Il est interdit d'utiliser ce capot protecteur avec des couteaux à taillis.



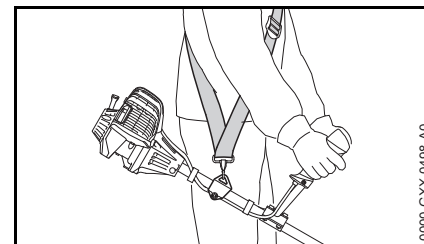
Il est interdit d'utiliser ce capot protecteur avec des couteaux de broyage.



Il est interdit d'utiliser ce capot protecteur avec des scies circulaires.

Harnais

Le harnais fait partie du jeu de pièces fourni à la livraison ou peut être livré en tant qu'accessoire optionnel.

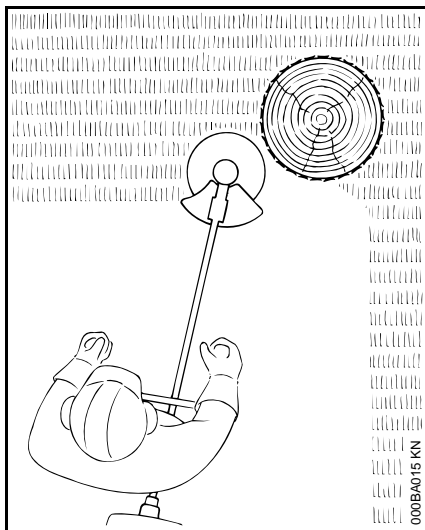


- Utilisation du harnais
- Accrocher la machine au harnais après avoir mis le moteur en marche.

Pour l'utilisation des couteaux à herbe et des couteaux à taillis le port d'un harnais (simple) est obligatoire !

Pour l'utilisation des scies circulaires, le port d'un harnais double avec système de débouclage rapide est obligatoire !

Tête faucheuse avec fil de coupe



Pour une coupe « en douceur » – pour couper proprement même les bordures irrégulières, autour des arbres, des poteaux etc. – moindre risque d'endommager l'écorce des arbres.

Le jeu de pièces fourni à la livraison de la tête faucheuse comprend un folio. Pour la recharge de la tête faucheuse avec un fil de coupe, procéder exclusivement suivant les instructions du folio.

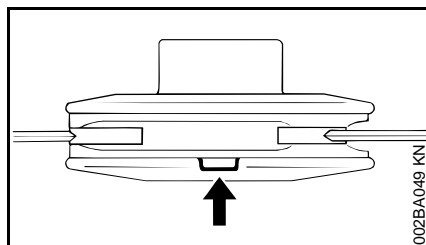
! AVERTISSEMENT

Ne pas remplacer le fil de coupe par des fils ou câbles métalliques – **risque de blessure !**

Tête faucheuse avec couteaux en matière synthétique – STIHL PolyCut

Pour faucher les bordures de près dégagées (sans poteaux, clôtures, arbres ou obstacles similaires).

Faire attention aux témoins d'usure !



Si, sur la tête faucheuse PolyCut, l'un des témoins d'usure est cassé, du côté inférieur (flèche) : ne plus utiliser cette tête faucheuse, mais la remplacer par une tête faucheuse neuve ! **Risque de blessure** par des éclats de l'outil projetés !

Respecter impérativement les instructions à suivre pour la maintenance de la tête faucheuse PolyCut !

La tête faucheuse PolyCut peut être également munie d'un fil de coupe, à la place des couteaux en matière synthétique.

Des folios font partie de l'ensemble fourni à la livraison de la tête faucheuse. Pour monter des couteaux en matière synthétique ou un fil de coupe sur la tête faucheuse, procéder exclusivement suivant les instructions des folios.

! AVERTISSEMENT

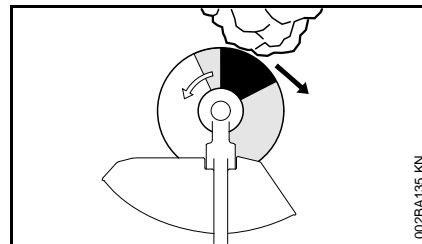
Ne pas utiliser des fils ou câbles métalliques à la place du fil de coupe prévu – **risque de blessure !**

Risque de rebond avec les outils de coupe métalliques

! AVERTISSEMENT

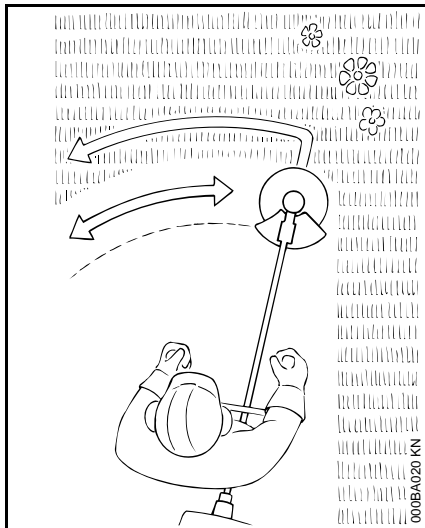


L'utilisation d'outils de coupe métalliques présente un risque de rebond, si l'outil entre en contact avec un objet solide (tronc d'arbre, branche, souche d'arbre, pierre etc.). La machine est alors projetée en arrière – dans la direction opposée au sens de rotation de l'outil.



Un **risque de rebond accru** se présente lorsque le **secteur de l'outil dessiné en noir** touche un obstacle.

Couteau à herbe



Uniquement pour l'herbe et les plantes adventices – mener le dispositif comme une faux.

! AVERTISSEMENT

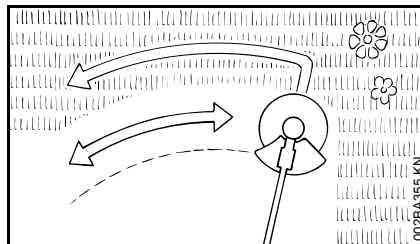
Une utilisation incorrecte peut entraîner la détérioration du couteau à herbe – risque de projection d'éclats de l'outil – **risque de blessure !**

Lorsque le couteau à herbe est nettement émoussé, il faut le réaffûter conformément aux prescriptions.

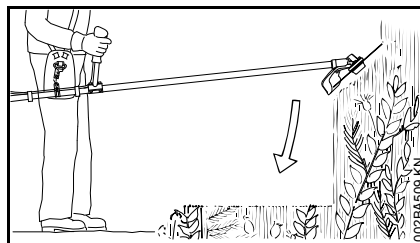
Couteau à taillis

Pour la coupe de l'herbe enchevêtrée, pour l'éclaircissage des plantes sauvages et des broussailles et pour le dépressage des jeunes peuplements

forestiers jusqu'à un diamètre de tige de 2 cm au maximum – ne pas couper du bois plus fort – **risque d'accident !**



Pour la coupe de l'herbe et le dépressage d'un jeune peuplement forestier, manier la machine comme une faux, au ras du sol.



Pour l'éclaircissage des plantes sauvages et des broussailles, « plonger » le couteau à taillis dans les plantes – de telle sorte qu'elles soient hachées de haut en bas. L'utilisateur ne doit pas tenir l'outil de coupe à une hauteur supérieure à sa hanche.

En appliquant cette technique de travail, il faut être extrêmement prudent. Plus la distance entre l'outil de coupe et le sol est grande, plus il y a risque de projection de particules sur le côté – **risque de blessure !**

Attention ! Une utilisation incorrecte peut entraîner la détérioration du couteau à taillis – risque de projection d'éclats de l'outil **risque de blessure !**

Afin de minimiser le risque d'accident, respecter impérativement les points suivants :

- éviter tout contact avec des pierres, des éléments métalliques ou d'autres objets solides ;
- ne pas couper du bois ou des broussailles d'une section de plus de 2 cm – pour une section supérieure, utiliser une scie circulaire ;
- vérifier régulièrement le couteau à taillis et s'assurer qu'il ne présente pas de détériorations – si un couteau à taillis est endommagé, il ne faut plus l'utiliser ;
- réaffûter le couteau à taillis régulièrement et dès qu'il est nettement émoussé – en respectant les prescriptions à suivre pour l'affûtage – et, si nécessaire, le faire rééquilibrer (pour cela, STIHL recommande de s'adresser au revendeur spécialisé STIHL).

Scie circulaire

Pour couper des buissons et des arbustes jusqu'à un diamètre de tronc de 4 cm.

On obtient le meilleur rendement de coupe en travaillant à pleins gaz, avec une pression d'avance régulière.

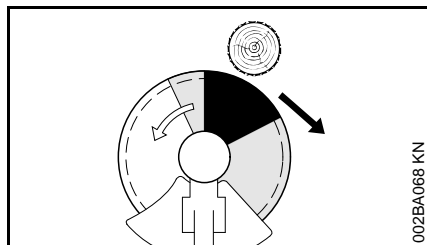
Utiliser les scies circulaires exclusivement avec la butée qui convient suivant le diamètre de l'outil de coupe.

AVERTISSEMENT

Éviter impérativement tout contact de la scie circulaire avec des pierres ou avec le sol – risque de fissuration ! Réaffûter la lame à temps et conformément aux instructions – des dents émoussées peuvent entraîner une fissuration et, par la suite, l'éclatement de la scie – **risque d'accident !**

À l'abattage d'un arbre, la distance par rapport à tout autre poste de travail le plus proche devrait être au moins égale à deux fois la longueur de l'arbre.

Risque de rebond



C'est dans la zone dessinée en noir qu'il y a les plus grands risques de rebond : ne jamais utiliser cette zone de l'outil de coupe pour attaquer une coupe ou pour scier.

La zone dessinée en gris présente aussi un risque de rebond : cette zone de l'outil de coupe ne devrait être utilisée, pour des techniques de travail particulières, que par des personnes dotées d'une formation spéciale et d'une bonne expérience.

C'est la zone dessinée en blanc qui permet un travail facile avec le moindre risque de rebond. Toujours attaquer une coupe avec cette zone.

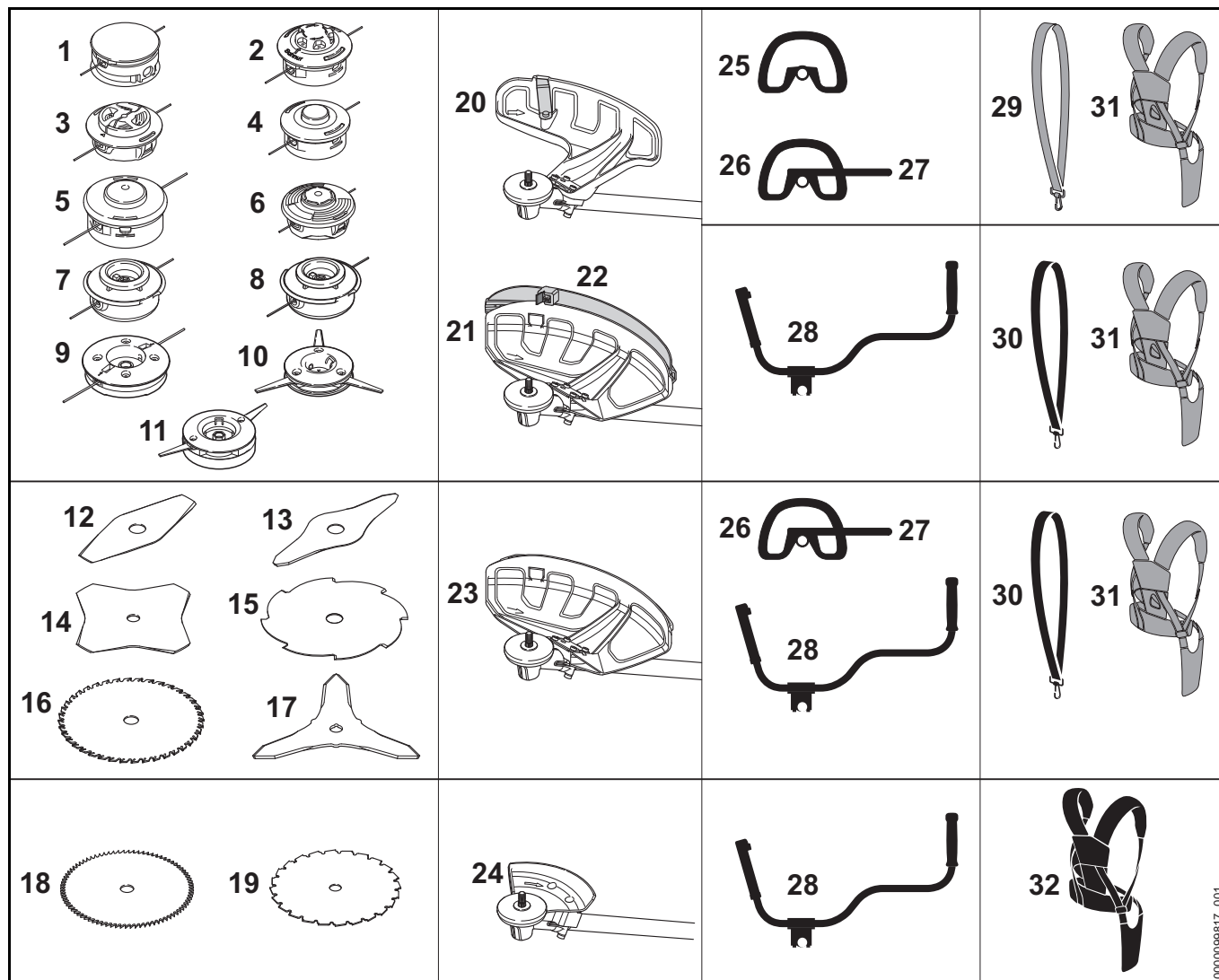
Combinaisons autorisées d'outil de coupe, de capot protecteur, de poignée et de harnais

Outil de coupe

Capot protecteur, butée d'arrêt

Poignée

Sangle de transport



000009817_001

Combinaisons possibles

Choisissez la combinaison correcte dans le tableau en fonction de l'outil de coupe !

AVERTISSEMENT

Pour des raisons de sécurité, seuls les accessoires de coupe, le déflecteur, la poignée et le harnais d'une même ligne de la table peuvent être combinés entre eux. Aucune autre combinaison n'est autorisée en raison du **risque d'accident!**

Outils de coupe

Têtes faucheuses

- 1 STIHL SuperCut 20-2
- 2 STIHL AutoCut C 25-2
- 3 STIHL AutoCut C 26-2
- 4 STIHL AutoCut 25-2 / AutoCut 27-2
- 5 STIHL AutoCut 30-2
- 6 STIHL AutoCut 36-2
- 7 STIHL TrimCut C 31-2
- 8 STIHL TrimCut C 32-2
- 9 STIHL DuroCut 20-2
- 10 STIHL PolyCut 20-3
- 11 STIHL PolyCut 28-2

Outils de coupe en métal

- 12 Lame de coupe d'herbe 230-2 (230 mm) dia.
- 13 Lame de coupe d'herbe 260-2 (260 mm) dia.
- 14 Lame de coupe d'herbe 230-4 (230 mm) dia.

- 15 Lame de coupe d'herbe 230-8 (230 mm) dia.
- 16 Lame de coupe d'herbe 250-40 spéciaux (250 mm) dia.
- 17 Couteau à taillis 250-3 (250 mm) dia.
- 18 Lame de coupe circulaire 200 dent à gratter (Ø 200 mm)
- 19 Lame de coupe circulaire 200-22 Dent de ciseau (4112), Lame de coupe circulaire 200-22 HP Dent de ciseau (4001)

AVERTISSEMENT

Les lames de coupe d'herbe, les couteaux à herbe et les lames de scie circulaire en d'autres matériaux non métalliques ne doivent pas être utilisés.

Capots protecteurs, butée d'arrêt

- 20 Capot protecteur pour têtes faucheuses
- 21 Capot protecteur **avec**
- 22 Capot protecteur avec lame pour les têtes de coupe
- 23 Capot protecteur **sans** protection et lame pour les accessoires de coupe des métaux, articles 9 à 15
- 24 Butée pour les lames de tronçonneuses circulaires

Poignées

- 25 Poignée tubulaire
- 26 Poignée tubulaire **avec**

- 27 Barre de protection
- 28 Poignée tubulaire

Bretelles

- 29 Bretelles peuvent être utilisées
- 30 Bretelles doivent être utilisées
- 31 Harnais complet peut être utilisé
- 32 Harnais complet doit être utilisé

Outils à rapporter autorisés

Sur le dispositif à moteur de base, le montage des outils à rapporter STIHL suivants est autorisé :

Outil à rapporter	Utilisation
BF	Sarclouse
HL 145° 1)	Coupe-haies
HT 1)	Perche élagueuse
RG 3)	Désherbeur
SP 1) 2)	Récolteuse d'olives

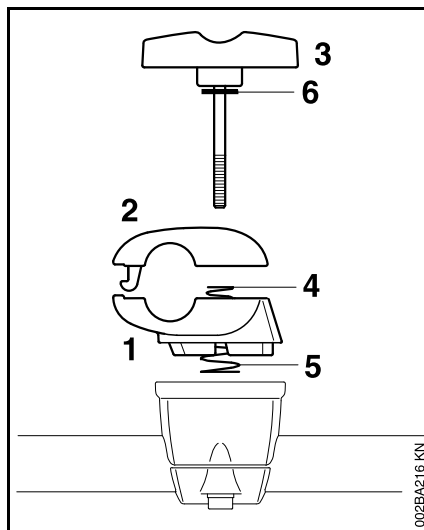
- 1) Interdit pour les machines munies d'un guidon
- 2) Utiliser la gaine faisant office de poignée, jointe à la machine
- 3) Sur les machines à poignée circulaire, utiliser la protection (pour garder la distance de sécurité entre l'outil de coupe et les pieds et jambes de l'utilisateur)

Montage du guidon

Fixation d'une poignée à deux mains avec un support de poignée rotatif

Le support de la poignée rotatif est déjà fixé à l'arbre lors de la livraison. Les coquilles de serrage doivent être retirées pour fixer le tube de la poignée.

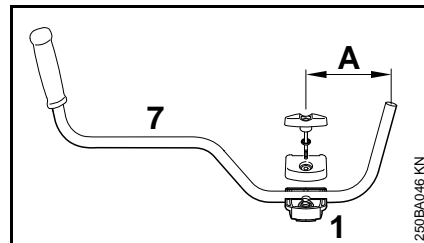
Enlever les coquilles de serrage



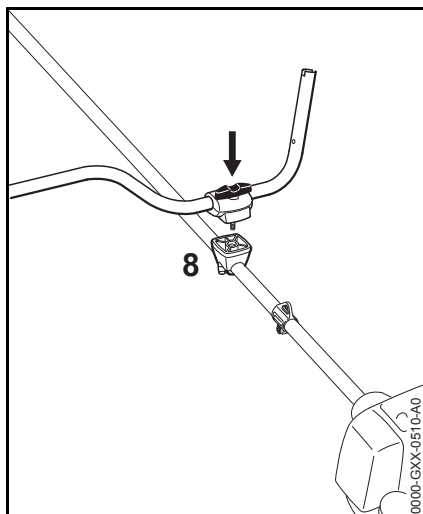
- Tenez la coquille de serrage inférieure (1) et la coquille de serrage supérieure (2)
- Dévissez la vis papillon (3) - après avoir dévissé la vis papillon, les pièces sont desserrées et sont écartées par les deux ressorts (4, 5) !

- Retirez la vis papillon - la rondelle (6) reste sur la vis papillon
- Séparez les coquilles de serrage - les ressorts (4, 5) restent dans la coquille de serrage inférieure !

Fixation du tube de la poignée

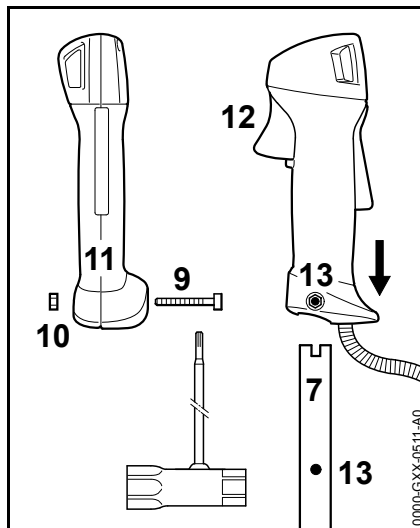


- Placez le tube de poignée (7) dans la coquille de serrage inférieure (1) de sorte que la distance (A) ne soit pas supérieure à 15 cm (6 in.).
- Placez la coquille de serrage supérieure sur le dessus et maintenez les deux coquilles ensemble
- Insérez la vis papillon dans les deux coquilles jusqu'à ce qu'elle s'arrête - maintenez toutes les pièces ensemble et fixez



- Placez l'ensemble sécurisé sur le support de la poignée (8) avec la vis papillon dirigée vers le moteur
- Enfoncez la vis papillon dans le support de la poignée jusqu'à la butée, puis vissez-la - ne la serrez pas encore
- Alignez le tube de poignée transversalement à l'arbre - vérifiez la dimension (A)
- Serrez la vis papillon

Montage de la poignée de commande

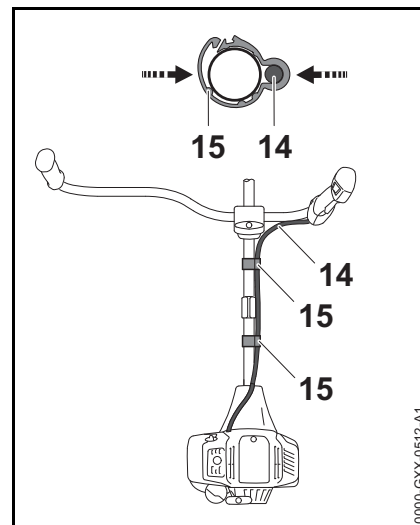


- Dévissez la vis (9) - l'écrou (10) reste dans la poignée de commande (11)
- Poussez la poignée de commande sur l'extrémité du tube de la poignée (7) avec le levier des gaz (12) dirigé vers la boîte de vitesses jusqu'à ce que les trous (13) soient alignés
- Vissez et serrez la vis (9)

Fixation du câble de l'accélérateur



Ne pas plier le câble de l'accélérateur ni le poser dans des rayons serrés - le levier de l'accélérateur doit être facilement déplaçable !

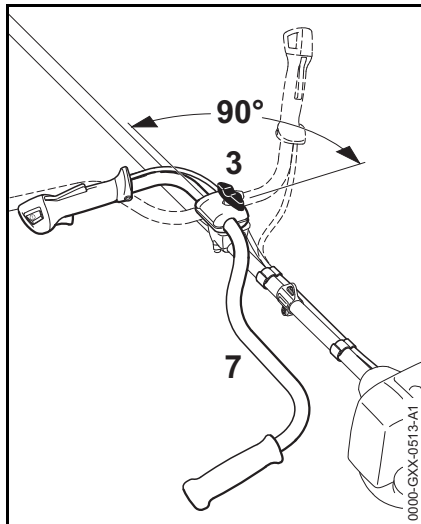


- Placez le support du câble de l'accélérateur (15) et le câble de l'accélérateur (14) sur l'arbre
- Appuyez sur le support du câble de l'accélérateur (15). Le support du câble de l'accélérateur (15) s'enclenche de manière audible

Réglage du câble de l'accélérateur

- Vérification du réglage du câble de l'accélérateur - voir "Réglage du câble de l'accélérateur".

Faites pivoter le tube de poignée ...
en position de transport



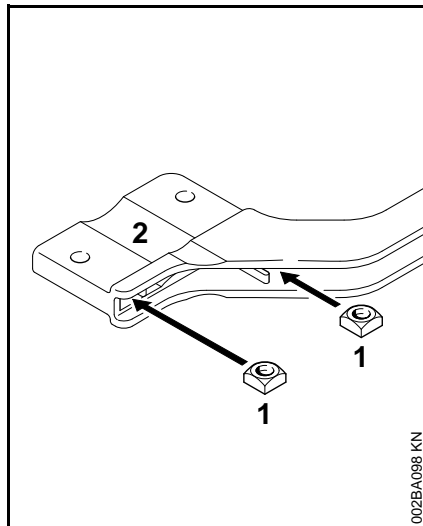
- Desserrez la vis papillon (3) et dévissez-la jusqu'à ce que le tube de la poignée (7) puisse être tourné
- Tournez le tube de poignée de 90° dans le sens inverse des aiguilles d'une montre, puis faites-le pivoter vers le bas
- Serrez la vis papillon (3)

en position de travail

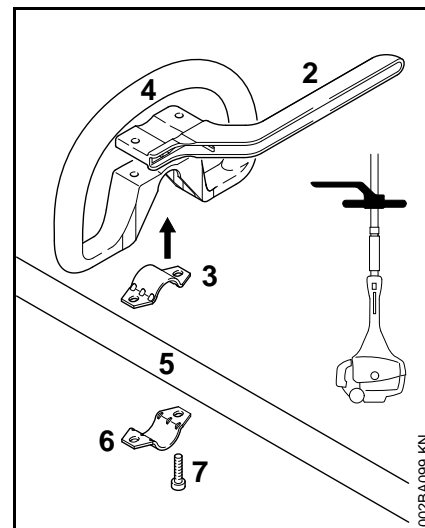
- Tournez ou faites pivoter le tube de poignée dans l'ordre inverse de la description ci-dessus et dans le sens des aiguilles d'une montre

Montage de la poignée circulaire

Montage de la poignée circulaire avec protection

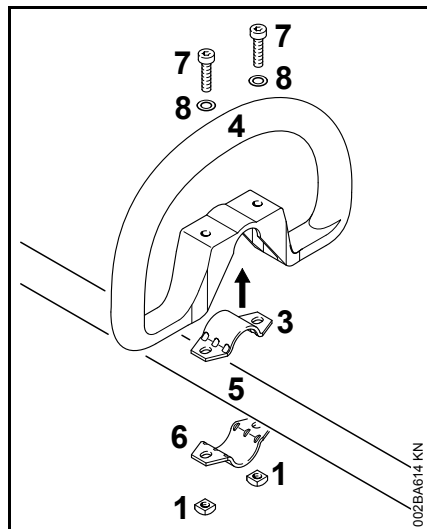


- Introduire les écrous à quatre pans (1) dans la protection (2) – faire coïncider les trous ;



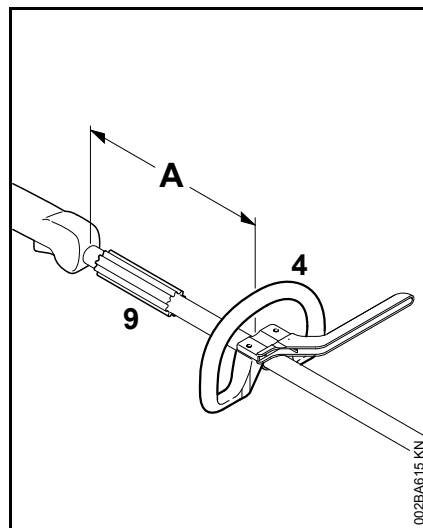
- loger la bride (3) dans la poignée circulaire (4) et la poser avec la poignée sur le tube (5) ;
- appliquer la bride (6) ;
- appliquer la protection (2) – en veillant au positionnement correct !
- faire coïncider les trous ;
- introduire les vis (7) à travers les trous des pièces – et les visser à fond dans la protection ;
- pour continuer, voir « Fixation de la poignée circulaire ».

Montage de la poignée circulaire sans protection



- Loger le collier (3) dans la poignée circulaire (4) et le poser avec la poignée sur le tube (5) ;
- appliquer la bride (6) ;
- faire coïncider les trous ;
- poser la rondelle (8) sur la vis (7) et introduire la vis dans le trou ; visser l'écrou à quatre pans (1) sur la vis – jusqu'en appui ;
- pour continuer, voir « Fixation de la poignée circulaire ».

Fixation de la poignée circulaire



En modifiant la distance (A), on peut amener la poignée circulaire dans la position la plus commode suivant l'utilisateur et l'utilisation prévue.

Distance recommandée :
(A) = env. 20 cm (8 po).

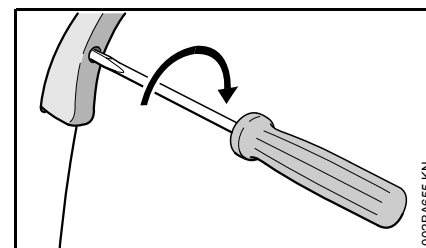
- Glisser la poignée circulaire dans la position souhaitée ;
- ajuster la poignée circulaire (4) ;
- serrer les vis de telle sorte que la poignée circulaire ne puisse plus tourner sur le tube – si la protection n'est pas montée : serrer au besoin les contre-écrous.

La douille (9) n'est montée que sur les modèles destinés à certains pays ; le cas échéant, elle doit se trouver entre la poignée circulaire et la poignée de commande.

Réglage du câble de commande des gaz

Après l'assemblage de la machine ou au bout d'une assez longue période d'utilisation de la machine, une correction du réglage du câble de commande des gaz peut s'avérer nécessaire.

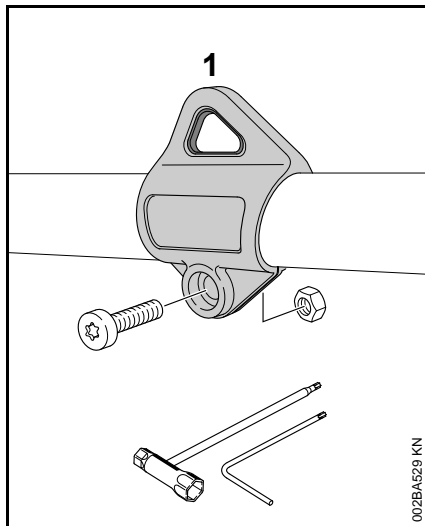
Ne procéder au réglage du câble de commande des gaz qu'après l'assemblage intégral de la machine.



- Amener la gâchette d'accélérateur en position pleins gaz ;
- tourner la vis située dans la gâchette d'accélérateur dans le sens de la flèche, jusqu'au premier point dur. Ensuite, exécuter encore un demi-tour supplémentaire dans le même sens.

Montage de l'anneau de suspension

Version en matière synthétique

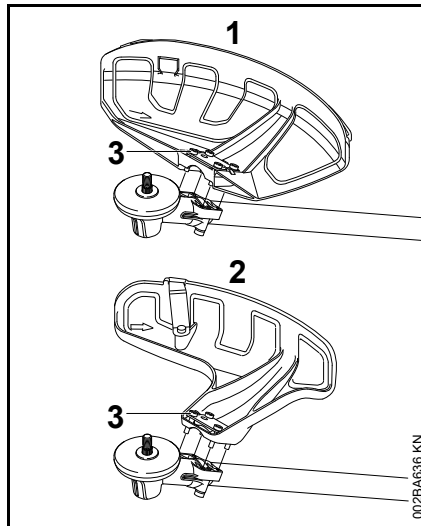


Position de l'anneau de suspension : voir « Principales pièces ».

- Appliquer l'anneau de suspension (1) sur le tube et l'emboîter sur le tube ;
- mettre l'écrou M5 dans la prise à six pans de l'anneau de suspension ;
- visser la vis M5x14 ;
- ajuster l'anneau de suspension ;
- serrer la vis.

Montage du capot protecteur

Montage du capot protecteur



- 1 Capot protecteur pour outils de fauchage
- 2 Capot protecteur pour têtes faucheuses

Les capots protecteurs (1) et (2) se fixent de la même manière, sur le réducteur.

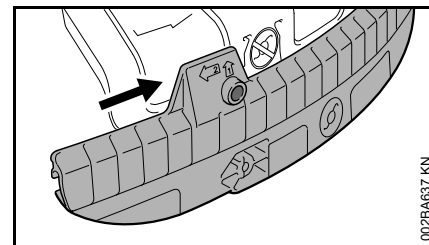
- Poser le capot protecteur sur le réducteur ;
- visser et serrer les vis (3).

Montage du tablier et du couteau

! AVERTISSEMENT

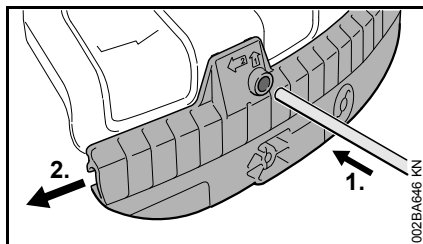
Risque de blessure par des objets projetés ou en cas de contact avec l'outil de coupe. Lorsqu'on utilise des têtes faucheuses, le tablier et le couteau doivent toujours être montés sur le capot protecteur (1).

Montage du tablier



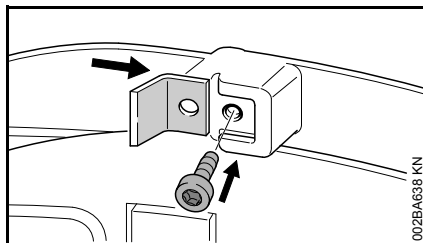
- Glisser la rainure de guidage du tablier sur le rebord du capot protecteur jusqu'à ce que le tablier s'encliquette.

Démontage du tablier



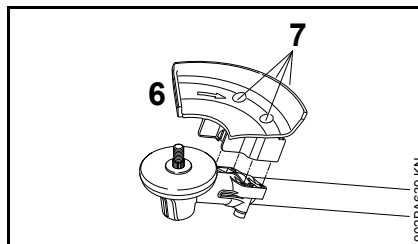
- Exercer une pression dans l'orifice du tablier, à l'aide du mandrin de calage, et pousser en même temps légèrement le tablier vers la gauche.
- Enlever complètement le tablier du capot protecteur.

Montage du couteau



- Glisser le couteau dans la rainure de guidage du tablier.
- Visser et serrer la vis.

Montage de la butée



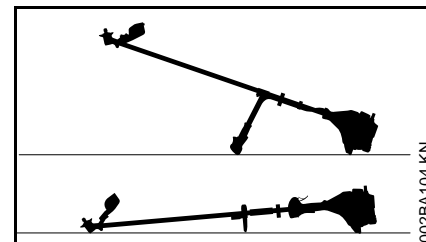
! AVERTISSEMENT

Risque de blessure par des objets projetés ou en cas de contact avec l'outil de coupe. Lorsqu'on utilise des scies circulaires, la butée (6) doit toujours être montée.

- Poser la butée (6) sur la bride du réducteur.
- Visser et serrer les vis (7).

Montage de l'outil de coupe

Pose de la machine sur le sol



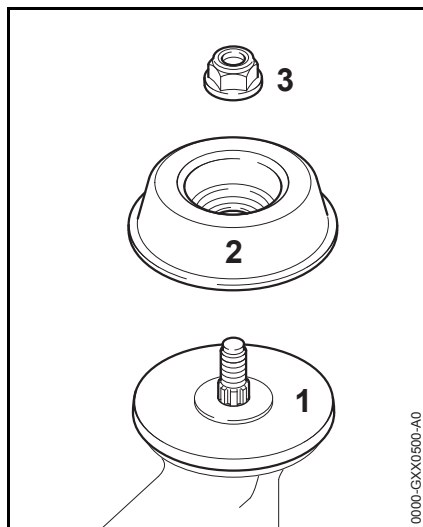
- Arrêter le moteur ;
- poser la machine de telle sorte que la prise pour outil de coupe soit orientée vers le haut.

Pièces de fixation pour outils de coupe

Le jeu de pièces joint pour la fixation de l'outil de coupe peut différer suivant l'outil de coupe livré avec l'équipement de première monte d'une machine neuve.

Livraison avec pièces de fixation

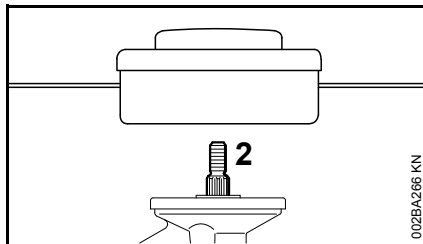
Il est possible de monter des têtes faucheuses et des outils de coupe métalliques.



Suivant la version de l'outil de coupe, il faut utiliser en outre l'écrou (3) et le bol glisseur (2). Le disque de pression (1) doit être monté avec tous les outils de coupe.

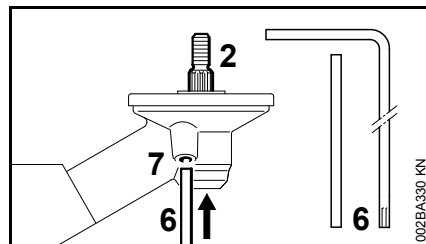
Ces pièces font partie du jeu de pièces joint à la livraison de la machine ou sont livrables à titre d'accessoires optionnels.

Livraison sans pièces de fixation



Il est seulement possible de monter des têtes faucheuses, à fixer directement sur l'arbre (2).

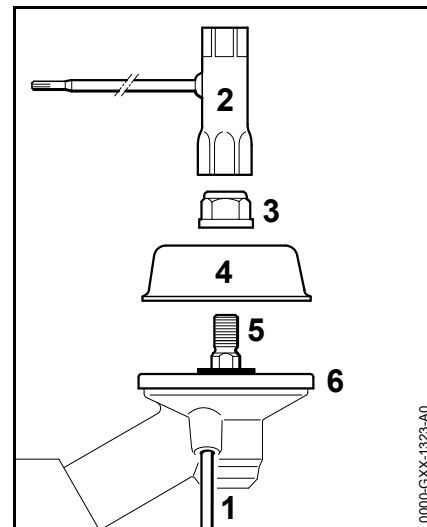
Blocage de l'arbre



Pour le montage et le démontage des outils de coupe, il faut bloquer l'arbre (2) à l'aide du mandrin de calage (6) ou du tournevis coudé (6). Les pièces font respectivement partie du jeu de pièces joint à la livraison de la machine ou sont livrables à titre d'accessoire optionnel.

- Glisser le mandrin de calage (6) ou le tournevis coudé (6) dans l'orifice (7) du réducteur, jusqu'en butée – en exerçant une légère pression.
- Faire jouer l'arbre, l'écrou ou l'outil de coupe jusqu'à ce que le mandrin s'encliquette et que l'arbre soit bloqué.

Démontage des pièces de fixation



- Bloquer l'arbre (5) à l'aide du mandrin de calage (1).
- Desserrer l'écrou (3) en tournant dans le sens des aiguilles d'une montre (filetage à gauche) avec la clé multiple (2) et l'enlever.
- Enlever le bol glisseur (4) de l'arbre (5) – ne pas enlever le disque de pression (6).

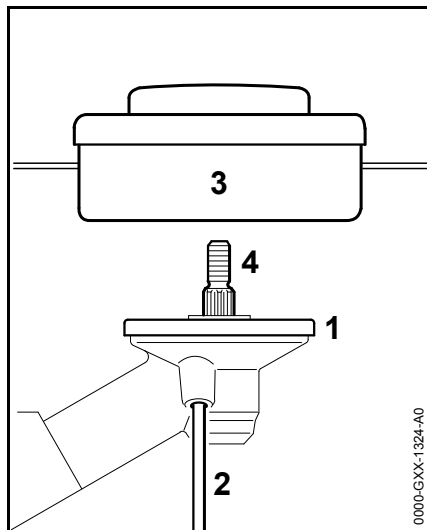
Montage de l'outil de coupe

AVERTISSEMENT

Risque de blessure par des objets projetés ou en cas de contact avec l'outil de coupe. Monter le capot protecteur qui convient pour l'outil de coupe respectivement utilisé – voir « Montage du capot protecteur ».

Montage de la tête faucheuse avec prise fileté

Conserver précieusement le folio joint à la tête faucheuse.



- Poser le disque de pression (1).
- Visser la tête faucheuse (3) sur l'arbre (4) en tournant dans le sens inverse des aiguilles d'une montre, jusqu'en appui.
- Bloquer l'arbre (4) à l'aide du mandrin de calage (2).
- Serrer fermement la tête faucheuse (3).



Enlever l'outil inséré pour bloquer l'arbre.

Démontage de la tête faucheuse

- Bloquer l'arbre (4) à l'aide du mandrin de calage (2).
- Tourner la tête faucheuse (3) dans le sens des aiguilles d'une montre et l'enlever.

Montage d'outils de coupe métalliques

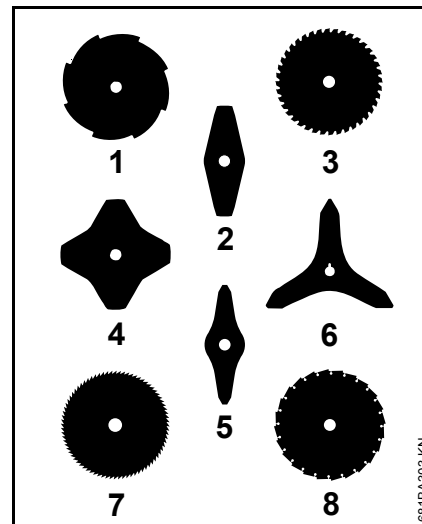
Conserver précieusement l'emballage et le folio joint à l'outil de coupe métallique.

⚠ AVERTISSEMENT

Mettre des gants de protection – risque de blessure sur les tranchants acérés.

Ne monter qu'un seul outil de coupe métallique !

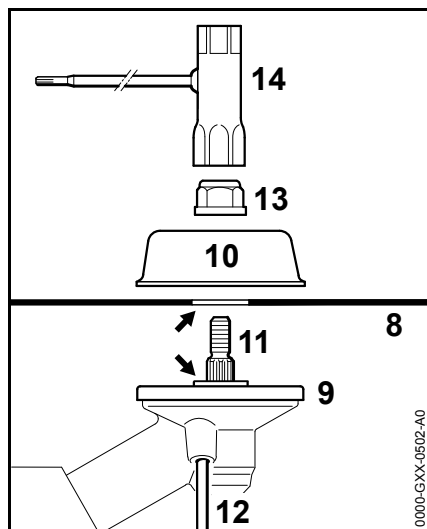
Orientation correcte de l'outil de coupe



Les outils de coupe (2, 4, 5, 6) peuvent être orientés dans n'importe quel sens – retourner assez souvent ces outils de coupe pour éviter une usure unilatérale.

Les tranchants des outils de coupe (1, 3, 7, 8) doivent être orientés dans le sens des aiguilles d'une montre.

Respecter le sens de rotation indiqué par la flèche estampée sur la face intérieure du capot protecteur.



- Poser le disque de pression (9).
- Poser l'outil de coupe (8) sur le disque de pression (9).

Le collet (flèche) doit s'engager dans l'orifice de l'outil de coupe.

Fixation de l'outil de coupe

- Poser le bol glisseur (10).
- Bloquer l'arbre (11) à l'aide du mandrin de calage (12).
- Visser l'écrou (13) sur l'arbre à l'aide de la clé multiple (14), en tournant dans le sens inverse des aiguilles d'une montre, et le serrer fermement.

AVERTISSEMENT

Risque de blessure en cas de desserrage accidentel de l'outil de coupe. S'il tourne facilement sur le filetage, l'écrou doit être remplacé.



Enlever l'outil inséré pour bloquer l'arbre.

Démontage d'un outil de coupe métallique

AVERTISSEMENT

Mettre des gants de protection – risque de blessure sur les tranchants acérés.

- Bloquer l'arbre (11) à l'aide du mandrin de calage (12).
- Desserrer l'écrou (13) en tournant dans le sens des aiguilles d'une montre.
- Enlever, du réducteur, l'outil de coupe et ses pièces de fixation – le disque de pression (9) **ne doit pas** être enlevé.

Carburant

Ce moteur est certifié pour fonctionner avec de l'essence sans plomb et l'huile pour moteur à deux temps STIHL à un rapport de mélange de 50:1.

Votre moteur nécessite un mélange d'essence de qualité supérieure et d'huile pour moteur 2 temps à refroidissement par air.

Utilisez de l'essence sans plomb de qualité moyenne avec un indice d'octane minimum de 89 ((R+M)/2) et une teneur en éthanol ne dépassant pas 10 %.

Un carburant dont l'indice d'octane est inférieur à 89 risque d'augmenter la température du moteur. Ceci augmente à son tour le risque de blocage du piston et de dommages au moteur.

La composition chimique du carburant est elle aussi importante. Certains additifs pour carburant entraînent non seulement des dégradations des élastomères (membranes du carburateur, joints à huile, conduites de carburant, etc.), mais aussi des pièces moulées en magnésium et des convertisseurs catalytiques. Il pourrait en résulter des problèmes de fonctionnement et des dommages au moteur. C'est la raison pour laquelle STIHL recommande d'utiliser uniquement une essence sans plomb de bonne qualité.

De l'essence ayant une teneur en éthanol supérieure à 10 % peut donner lieu à des problèmes de fonctionnement

et provoquer de sérieux dommages au moteur, il convient donc de ne pas en utiliser.

Pour plus d'informations, veuillez consulter le site

www.STIHLusa.com/ethanol

La teneur en éthanol de l'essence influe sur la vitesse du moteur - il peut être nécessaire de réajuster le carburateur si vous utilisez des carburants ayant des teneurs en éthanol différentes.

AVERTISSEMENT

Pour réduire le risque de blessure corporelle en cas de perte de contrôle et/ou de contact avec l'outil de coupe en marche, n'utilisez pas votre appareil avec un réglage de ralenti incorrect. À une vitesse de ralenti correcte, l'outil de coupe ne doit pas bouger.

Si le régime de ralenti de votre outil à moteur est mal réglé, demandez à votre concessionnaire agréé STIHL de vérifier votre machine et d'effectuer les réglages et les réparations nécessaires.

Le régime de ralenti et la vitesse maximale du moteur changent si vous passez d'un carburant ayant une certaine teneur en éthanol à un autre carburant ayant une teneur en éthanol beaucoup plus ou moins élevée.

Ce problème peut être évité en utilisant toujours du carburant ayant la même teneur en éthanol.

Pour assurer la performance maximale de votre moteur STIHL, utilisez une huile moteur 2 temps de haute qualité, comme les huiles moteur 2 temps STIHL. Les huiles moteur 2 temps STIHL sont spécialement conçues pour

les moteurs STIHL. Pour aider votre moteur à fonctionner plus proprement et réduire les dépôts de carbone nocifs, STIHL recommande d'utiliser l'huile moteur 2 temps STIHL HP Ultra, ou utiliser une huile moteur 2 temps de qualité équivalente.

Pour répondre aux exigences de l'EPA et de la CARB, nous recommandons d'utiliser l'huile STIHL HP Ultra ou une huile équivalente.

N'utilisez pas de mélanges de type NMMA ou TCW (deux temps à refroidissement par eau) ou d'autres mélanges indiqués comme convenant à la fois aux moteurs à refroidissement par eau et par air (par exemple moteurs de hors-bord, motoneiges, tronçonneuses, cyclomoteurs, etc.).

Soyez prudent en manipulant l'essence. Évitez tout contact direct avec la peau et l'inhalation de vapeurs de carburant. Lors du remplissage à la pompe, retirez d'abord le conteneur de votre véhicule et placez-le sur le sol avant de le remplir. Pour réduire le risque d'étincelles dues à une décharge statique et à l'incendie et/ou l'explosion qui en résulte, ne remplissez pas les conteneurs de carburant qui se trouvent dans ou sur un véhicule ou une remorque.

Le conteneur doit être maintenu hermétiquement fermé afin de limiter la quantité d'humidité qui pénètre dans le mélange.

Le réservoir de carburant de la machine doit être nettoyé si nécessaire.

STIHL MotoMix

STIHL recommande l'utilisation de STIHL MotoMix. STIHL MotoMix possède un indice d'octane élevé et vous garantit toujours le rapport de mélange essence/huile correct.

STIHL MotoMix utilise de l'huile pour moteur deux temps STIHL HP Ultra, adaptée aux moteurs à hautes performances.

Pour plus d'informations, veuillez consulter le site

www.STIHLusa.com/ethanol

Le mélange de combustibles vieillit

Si vous n'utilisez pas le STIHL MotoMix, ne mélangez que suffisamment de carburant pour quelques jours de travail, sans dépasser 30 jours de stockage. Ne stocker que dans des conteneurs de carburant agréés. Lors du mélange, versez tout d'abord l'huile dans le conteneur et ensuite ajoutez l'essence. Fermez le conteneur et agitez-le à la main vigoureusement afin de garantir un mélange correct d'huile et d'essence.

Essence	Huile (STIHL 50:1 ou huiles de qualité équivalente)
---------	---

Litres	Litres	(ml)
1	0,02	(20)
5	0,10	(100)
10	0,20	(200)
20	0,40	(400)

US gal.	US fl.oz.
---------	-----------

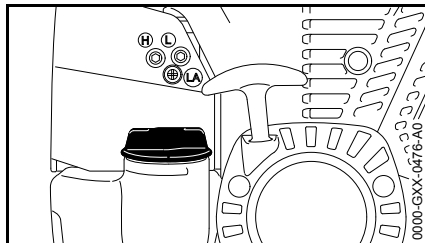
1	2,6
2 1/2	6,4
5	12,8

Les récipients vides ayant contenu du mélange doivent être mis au rebut exclusivement auprès des points de collecte autorisés.

Ravitaillement en carburant

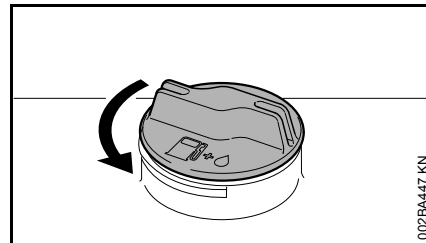


Préparatifs



- Avant de faire le plein, nettoyer le bouchon du réservoir et son voisinage, afin qu'aucune impureté ne risque de pénétrer dans le réservoir.
- Positionner la machine de telle sorte que le bouchon du réservoir soit orienté vers le haut.

Ouverture du bouchon du réservoir



- Tourner le bouchon dans le sens inverse des aiguilles d'une montre jusqu'à ce qu'il puisse être enlevé de l'orifice du réservoir ;
- enlever le bouchon du réservoir.

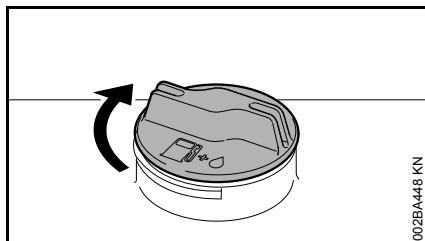
Ravitaillement en carburant

En faisant le plein, ne pas renverser du carburant et ne pas remplir le réservoir jusqu'au bord.

STIHL recommande d'utiliser le système de remplissage STIHL pour carburant (accessoire optionnel).

- Faire le plein de carburant.

Fermeture du bouchon du réservoir



002BA448 KN

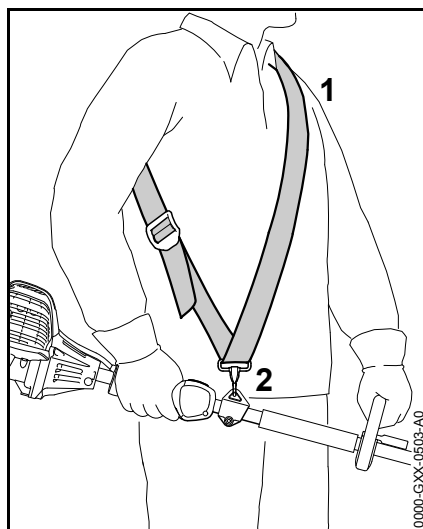
- Présenter le bouchon sur l'orifice ;
- tourner le bouchon dans le sens des aiguilles d'une montre, jusqu'en butée, puis le serrer le plus fermement possible, à la main.

Utilisation du harnais

Le type et la version du harnais diffèrent suivant les marchés.

Pour l'utilisation du harnais – voir chapitre « Combinaisons autorisées d'outil de coupe, de capot protecteur, de poignée et de harnais ».

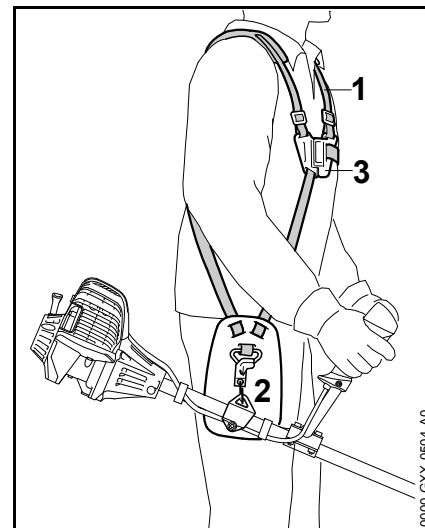
Harnais simple



0000-GXX-0503-A0

- Mettre le harnais simple (1).
- Régler la longueur de la sangle de telle sorte que le mousqueton (2) se trouve environ à une largeur de paume en dessous de la hanche droite.
- Équilibrer la machine, voir « Équilibrage ».

Harnais double

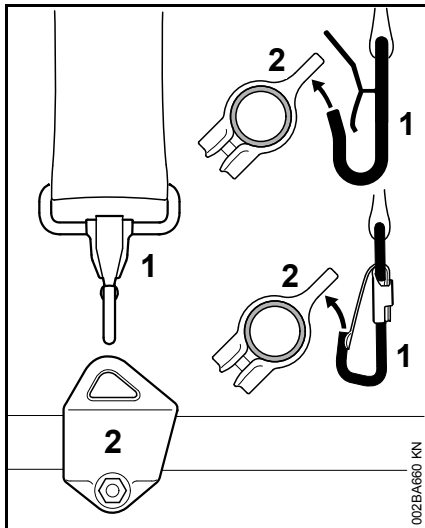


0000-GXX-0504-A0

- Mettre le harnais double (1) et fermer la serrure (3).
- Ajuster la longueur de la sangle – une fois que la machine est accrochée, le mousqueton (2) doit se trouver environ à une largeur de paume en dessous de la hanche droite.
- Équilibrer la machine, voir « Équilibrage ».

Équilibrage

Accrochage de la machine au harnais



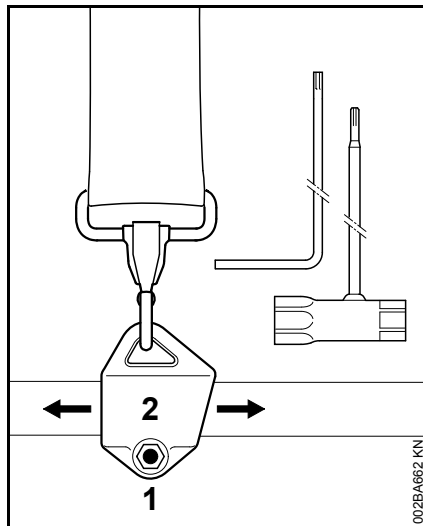
Le type et la version du harnais et du mousqueton diffèrent suivant les marchés.

- Accrocher le mousqueton (1) à l'anneau de suspension (2) fixé sur le tube.

Équilibrage de la machine

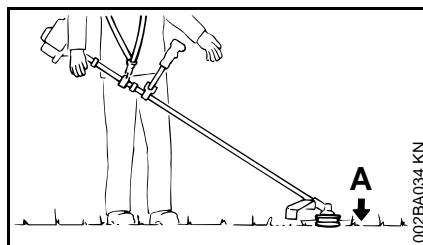
Suivant l'outil de coupe monté, la machine doit être équilibrée de différentes manières.

Jusqu'à obtention des conditions décrites au paragraphe « Positions d'équilibre », exécuter les opérations suivantes :



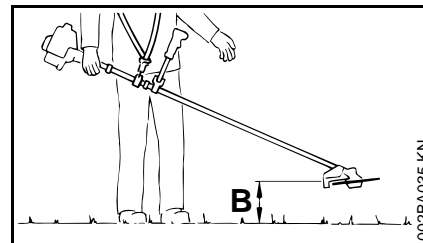
- Desserrer la vis (1).
- Faire coulisser l'anneau de suspension (2).
- Serrer légèrement la vis (1).
- Laisser la machine s'équilibrer.
- Contrôler la position d'équilibre :

Positions d'équilibre



Les outils de fauchage (A) tels que les têtes faucheuses, les couteaux à herbe et les couteaux à taillis

- doivent légèrement porter sur le sol.



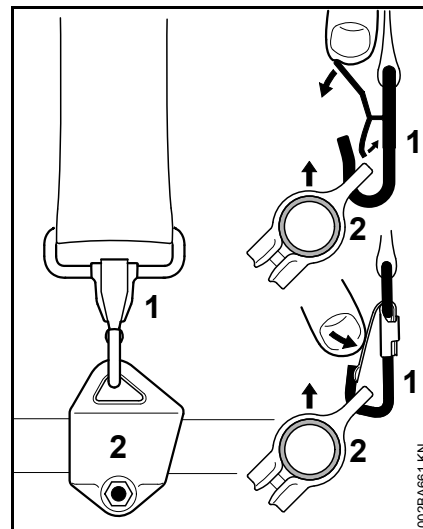
Les scies circulaires (B)

- doivent « flotter » à environ 20 cm (8 po) du sol.

Une fois que la position d'équilibre correcte est obtenue :

- Serrer fermement la vis (1) de l'anneau de suspension.

Décrochage de la machine du harnais

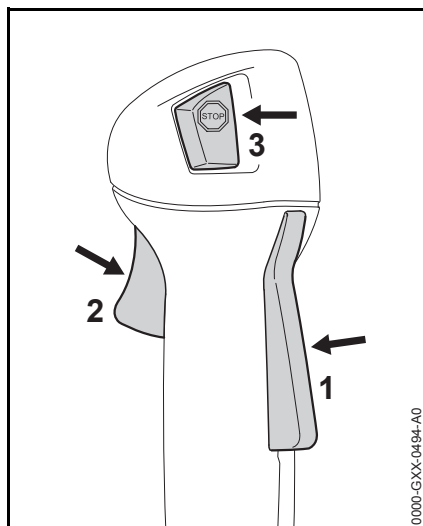


- Appuyer sur la languette du mousqueton (1) et sortir l'anneau de suspension (2) du mousqueton.

Mise en route / arrêt du moteur

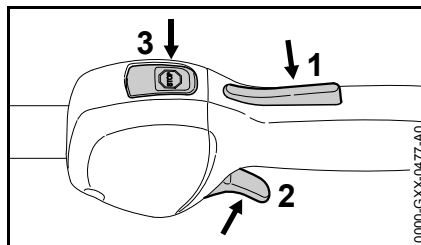
Éléments de commande

Version à guidon



- 1 Blocage de gâchette d'accélérateur
- 2 Gâchette d'accélérateur
- 3 Bouton d'arrêt – avec les positions pour **marche normale** et **Stop** = arrêt. Pour couper le contact, il faut enfoncer le bouton d'arrêt (☹) – voir « Fonctionnement du bouton d'arrêt et de l'allumage ».

Version à poignée circulaire

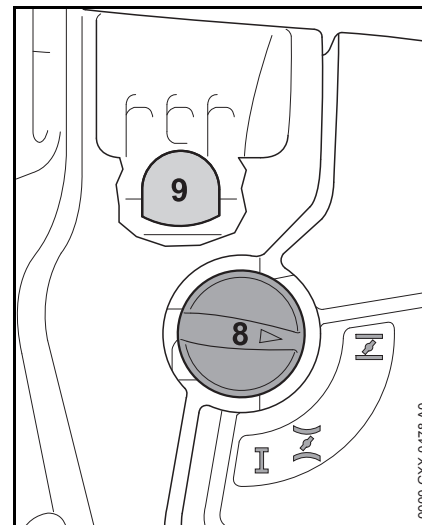


- 1 Blocage de gâchette d'accélérateur
- 2 Gâchette d'accélérateur
- 3 Bouton d'arrêt – avec les positions pour **marche normale** et **Stop** = arrêt. Pour couper le contact, il faut enfoncer le bouton d'arrêt (☹) – voir « Fonctionnement du bouton d'arrêt et de l'allumage ».

Fonctionnement du bouton d'arrêt et de l'allumage

Lorsqu'on enfonce le bouton d'arrêt, le contact est coupé et le moteur s'arrête. Après le relâchement du bouton d'arrêt, ce dernier repasse en position de **marche normale** : une fois que le moteur est arrêté, le bouton d'arrêt étant revenu en position de marche normale, le contact d'allumage est remis automatiquement – le moteur est prêt à démarrer et peut être lancé.

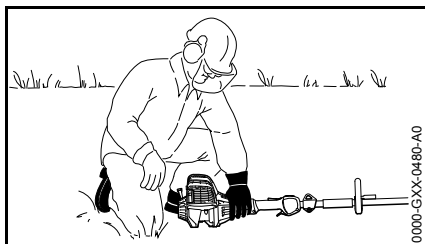
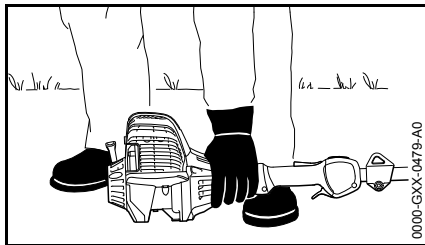
Mise en route du moteur



- Enfoncer au moins 5 fois le soufflet de la pompe d'amorçage manuelle (9) – même si le soufflet est rempli de carburant.
- Appuyer sur le levier du volet de starter (8) et le tourner dans la position requise en fonction de la température du moteur :
 - I si le moteur est froid ;
 - II si le moteur est chaud – également si le moteur a déjà tourné mais est encore froid.

Le levier du volet de starter doit s'encliqueter.

Lancement du moteur



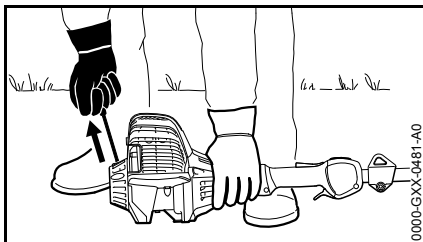
- Poser la machine sur le sol, dans une position sûre : la patte d'appui du moteur et le capot protecteur de l'outil de coupe servent d'appuis.
- Si la machine en est équipée : enlever le protecteur de transport de l'outil de coupe.

L'outil de coupe ne doit entrer en contact ni avec le sol, ni avec un objet quelconque – **risque d'accident !**

- Se tenir dans une position bien stable – différentes positions possibles : debout, penché en avant ou à genoux.
- Avec la main gauche, plaquer **fermement** la machine sur le sol – en ne touchant ni à la gâchette d'accélérateur, ni au blocage de gâchette d'accélérateur – en passant le pouce sous le carter de ventilateur.



Ne pas poser le pied ou le genou sur le tube !



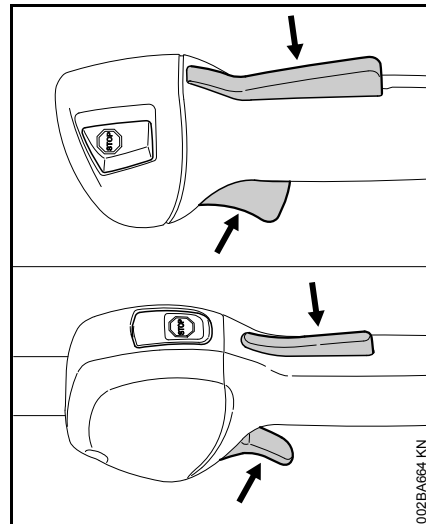
- Avec la main droite, saisir la poignée du lanceur.
- Tirer lentement la poignée du lanceur jusqu'à la première résistance perceptible, puis tirer vigoureusement d'un coup sec.



Ne pas sortir le câble sur toute sa longueur – **il risquerait de casser !**

- Ne pas lâcher la poignée du lanceur – la guider à la main dans le sens opposé à la traction, de telle sorte que le câble de lancement puisse s'enrouler correctement.
- Lancer le moteur jusqu'à ce qu'il démarre.

Dès que le moteur tourne



- Enfoncer le blocage de gâchette d'accélérateur et accélérer – le levier du volet de starter revient dans la position de marche normale I – après un démarrage à froid, faire chauffer le moteur en donnant quelques coups d'accélérateur.

AVERTISSEMENT

Risque de blessure si l'outil de coupe est entraîné au ralenti. Régler le carburateur de telle sorte que l'outil de coupe ne tourne pas au ralenti – voir « Réglage du carburateur ».


La machine est prête à l'utilisation.

Arrêt du moteur

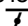
- Enfoncer le bouton d'arrêt – le moteur s'arrête – relâcher le bouton d'arrêt – le bouton d'arrêt revient dans la position initiale, sous l'effet de son ressort.

Indications complémentaires concernant la mise en route du moteur

Si le moteur cale en position de démarrage à froid ou à l'accélération

- Placer le levier du volet de starter en position  – continuer de lancer le moteur jusqu'à ce qu'il démarre.

Si le moteur ne démarre pas dans la position de démarrage à chaud

- Placer le levier du volet de starter en position  – continuer de lancer le moteur jusqu'à ce qu'il démarre.

Si le moteur ne démarre pas

- Contrôler si tous les éléments de commande sont réglés correctement.
- Contrôler s'il y a du carburant dans le réservoir, refaire le plein si nécessaire.
- Contrôler si le contact du câble d'allumage est fermement emboîté sur la bougie.
- Répéter la procédure de mise en route du moteur.

Si le moteur est noyé

- Placer le levier du volet de starter en position **I** – continuer de lancer le moteur jusqu'à ce qu'il démarre.

Si le moteur est tombé en panne sèche

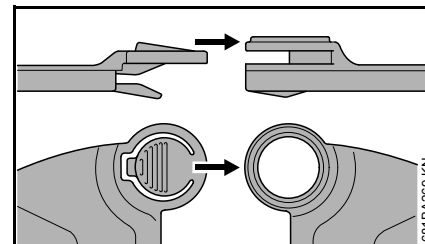
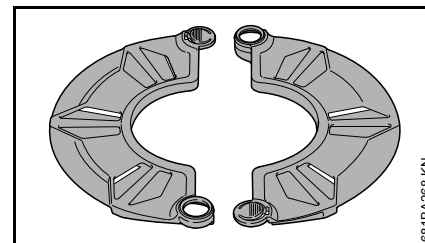
- Après avoir fait le plein, enfoncer au moins 5 fois le soufflet de la pompe d'amorçage – même si le soufflet est rempli de carburant.
- Placer le levier du volet de starter dans la position requise en fonction de la température du moteur.
- Remettre le moteur en marche.

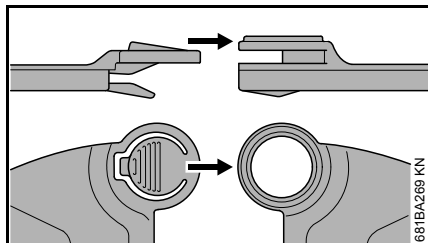
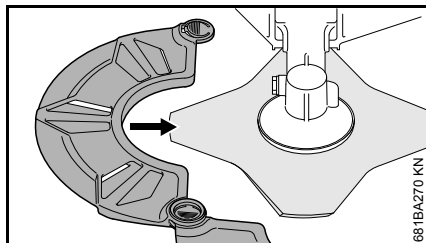
Transport de l'appareil

Utilisation du protecteur de transport

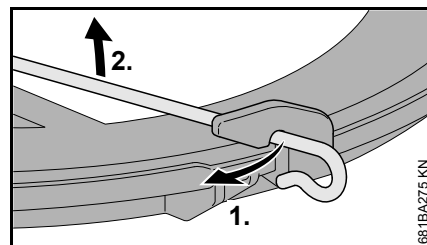
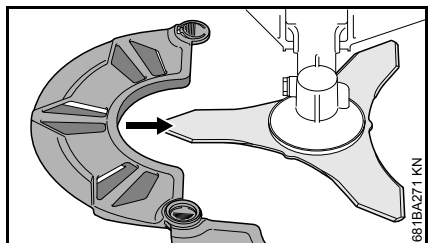
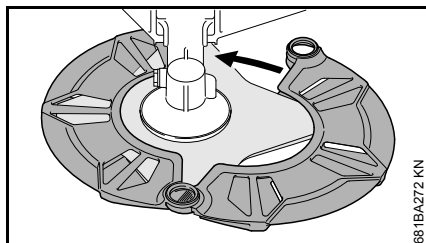
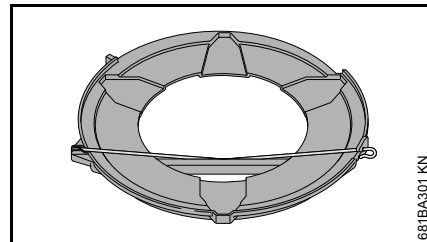
Le type de protecteur de transport joint à la livraison de la machine dépend du type d'outil de coupe métallique. Des protecteurs de transport sont également livrables en tant qu'accessoires optionnels.

Couteaux à herbe 230 mm

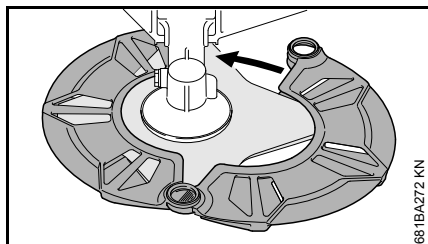
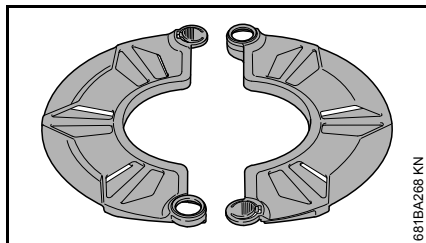




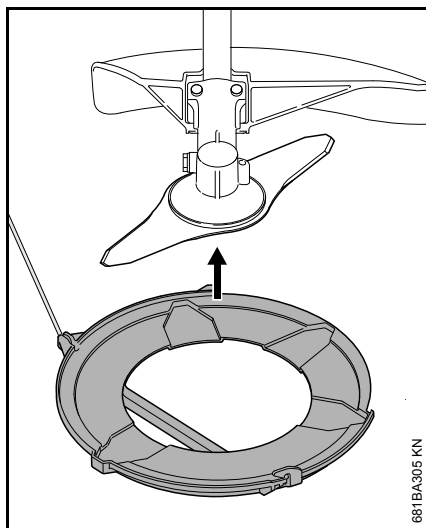
Couteaux à herbe jusqu'à 260 mm



Couteau à taillis 250 mm

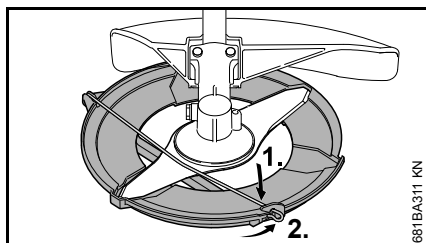


- Décrocher l'étrier de fixation du protecteur de transport ;
- faire pivoter l'étrier de fixation vers l'extérieur ;



681BA305 KN

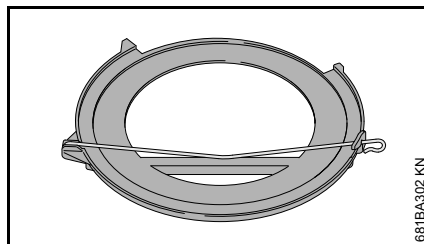
- appliquer le protecteur de transport sur l'outil de coupe, par le bas ;



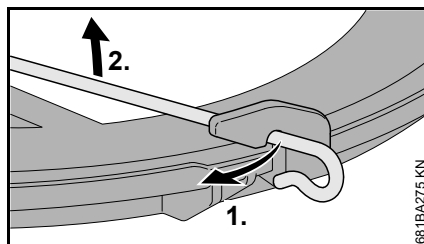
681BA311 KN

- faire pivoter l'étrier de fixation vers l'intérieur ;
- accrocher l'étrier de fixation sur le protecteur de transport.

Scies circulaires

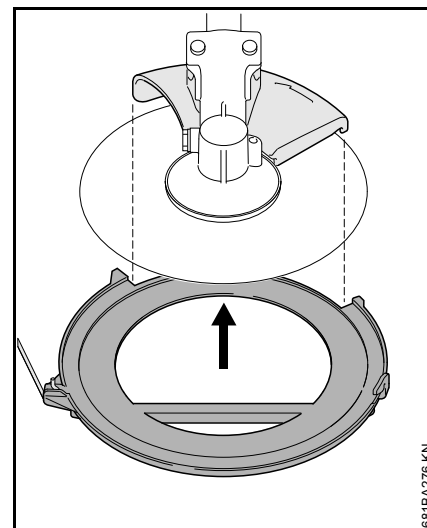


681BA302 KN



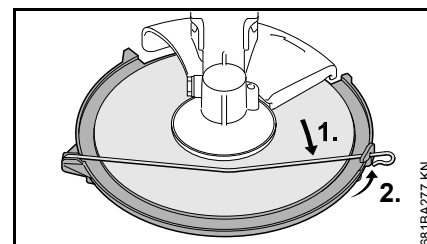
681BA275 KN

- Décrocher l'étrier de fixation du protecteur de transport ;



681BA276 KN

- faire pivoter l'étrier de fixation vers l'extérieur ;
- appliquer le protecteur de transport sur l'outil de coupe, par le bas, en veillant à ce que la butée se trouve bien centrée dans l'échancrure ;



681BA277 KN

- faire pivoter l'étrier de fixation vers l'intérieur ;
- accrocher l'étrier de fixation sur le protecteur de transport.

Instructions de service

Au cours de la première période d'utilisation

Jusqu'à épuisement des trois premiers pleins du réservoir, ne pas faire tourner le dispositif à moteur neuf à haut régime, à vide, afin d'éviter une sollicitation supplémentaire au cours du rodage. Durant le rodage, les éléments mobiles doivent s'adapter les uns aux autres – les frictions à l'intérieur du bloc-moteur offrent une résistance assez élevée. Le moteur n'atteint sa puissance maximale qu'au bout d'une période d'utilisation correspondant à la consommation de 5 à 15 pleins du réservoir.

Au cours du travail

Après une assez longue phase de fonctionnement à pleine charge, laisser le moteur tourner au ralenti pendant quelques instants – le plus gros de la chaleur est alors dissipé par le flux d'air de refroidissement, ce qui évite une accumulation de chaleur qui soumettrait les pièces rapportées sur le bloc-moteur (allumage, carburateur) à des sollicitations thermiques extrêmes.

Après le travail

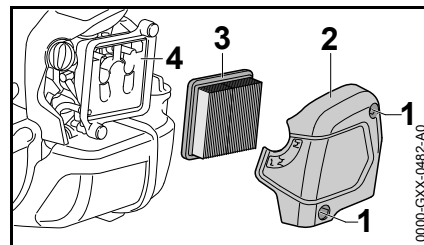
Pour une courte période d'immobilisation : laisser le moteur refroidir. Veiller à ce que le réservoir à carburant soit complètement vide et, jusqu'à la prochaine utilisation, ranger le dispositif à un endroit sec, à l'écart de

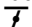
toute source d'inflammation. Pour une assez longue période d'immobilisation – voir « Rangement du dispositif » !

Remplacement du filtre à air

En moyenne, les intervalles de maintenance du filtre atteignent plus d'un an. Ne pas démonter le couvercle de filtre et ne pas remplacer le filtre à air tant que l'on ne constate pas de perte de puissance sensible.

Si la puissance du moteur baisse sensiblement



- Tourner le levier du volet de starter dans la position .
- Desserrer les vis (1).
- Enlever le couvercle de filtre (2).
- Nettoyer grossièrement le voisinage du filtre.
- Enlever le filtre (3).
- Remplacer le filtre (3) s'il est encrassé ou endommagé.
- Remplacer les pièces endommagées.

Montage du filtre

- Mettre le filtre (3) neuf dans le boîtier de filtre et monter le couvercle de filtre.
- Visser et serrer les vis (1).

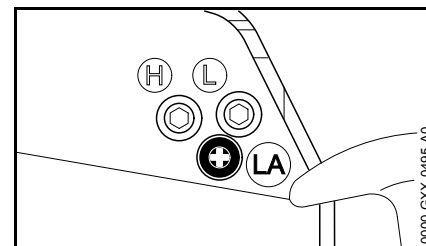
Gestion moteur

La régulation des émissions de nuisances à l'échappement est assurée par la définition des paramètres et la configuration des composants du moteur de base (par ex. carburation, allumage, calage de l'allumage et de la distribution),

Réglage du carburateur

Départ usine, le carburateur de la machine est ajusté de telle sorte que dans toutes les conditions de fonctionnement le moteur soit alimenté avec un mélange carburé de composition optimale.

Réglage du ralenti



Si le moteur cale au ralenti

- Faire chauffer le moteur pendant env. 3 min.
- Tourner lentement la vis de butée de réglage de régime de ralenti (LA) dans le sens des aiguilles d'une montre, jusqu'à ce que le moteur tourne rond – l'outil de coupe ne doit pas être entraîné.

Si l'outil de coupe est entraîné au ralenti

- Tourner lentement la vis de butée de réglage de régime de ralenti (LA) dans le sens inverse des aiguilles d'une montre, jusqu'à ce que l'outil de coupe s'arrête, puis exécuter encore entre 1/2 tour et 3/4 de tour dans le même sens.

AVERTISSEMENT

Si l'outil de coupe ne s'arrête pas au ralenti, malgré le réglage correct, faire réparer la machine par le revendeur spécialisé.

Grille pare-étincelles dans le silencieux

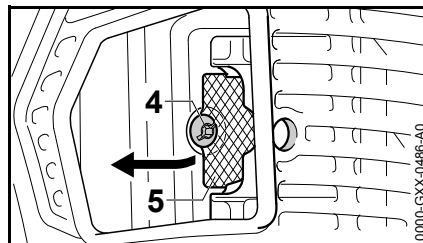
AVERTISSEMENT

Afin de réduire le risque d'un incendie causé par l'échappement de particules très chaudes, ne jamais faire fonctionner la machine sans grille pare-étincelles ou avec une grille pare-étincelles endommagée. Ne jamais modifier le silencieux ou la grille pare-étincelles.

AVIS

Il est possible que dans certains pays des lois ou des règlements exigent que, pour certaines applications, la grille pare-étincelles soit correctement entretenue.

- Si la puissance du moteur baisse, contrôler la grille pare-étincelles du silencieux.
- Laisser le silencieux refroidir.



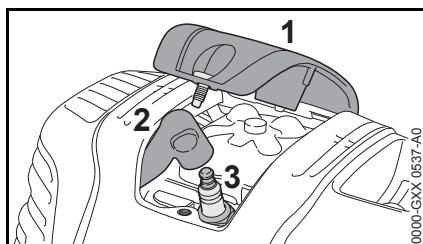
- Dévisser la vis (4).

- Soulever la grille pare-étincelles (5) et l'extraire.
- Si la grille pare-étincelles (5) du silencieux est encrassée, la nettoyer – si elle est endommagée ou fortement calaminée, la remplacer.
- Remonter la grille pare-étincelles (5).
- Visser et serrer la vis (4).

Bougie

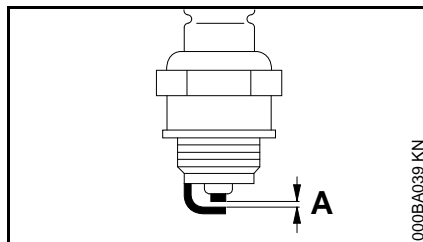
- En cas de manque de puissance du moteur, de difficultés de démarrage ou de perturbations au ralenti, contrôler tout d'abord la bougie ;
- après env. 100 heures de fonctionnement, remplacer la bougie – la remplacer plus tôt si les électrodes sont fortement usées – utiliser exclusivement les bougies antiparasitées autorisées par STIHL – voir « Caractéristiques techniques ».

Démontage de la bougie



- Dévisser le recouvrement (1).
- Enlever le contact de câble d'allumage de la bougie (2).
- Dévisser la bougie (3).

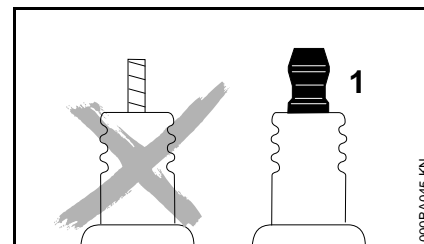
Contrôler la bougie



- Nettoyer la bougie si elle est encrassée ;
- contrôler l'écartement des électrodes (A) et le rectifier si nécessaire – pour la valeur correcte, voir « Caractéristiques techniques » ;
- éliminer les causes de l'encrassement de la bougie.

Causes possibles :

- trop d'huile moteur dans le carburant ;
- filtre à air encrassé ;
- conditions d'utilisation défavorables.



⚠ AVERTISSEMENT

Si l'écrou de connexion (1) manque ou n'est pas fermement serré, un jaillissement d'étincelles peut se produire. Si l'on travaille dans le voisinage de matières inflammables ou présentant des risques d'explosion, cela peut déclencher un incendie ou une explosion. Cela peut causer des dégâts matériels et des personnes risquent d'être grièvement blessées.

- Utiliser des bougies antiparasitées avec écrou de connexion fixe.

Montage de la bougie

- Visser la bougie (3).
- Serrer la bougie (3) avec la clé multiple.
- Emboîter fermement le contact de câble d'allumage (2) sur la bougie.
- Monter le recouvrement (1) et le visser fermement.

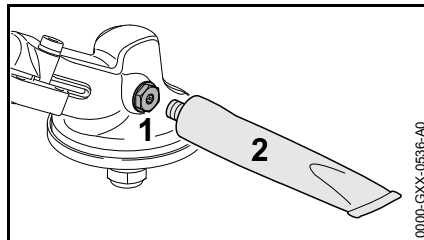
Fonctionnement du moteur

Si le moteur ne fonctionne pas parfaitement, bien que le filtre à air ait été nettoyé et que le carburateur soit réglé correctement, ce défaut peut aussi provenir du silencieux d'échappement.

Demander au revendeur spécialisé de contrôler si le silencieux n'est pas encrassé (calaminé) !

STIHL recommande de faire effectuer les opérations de maintenance et les réparations exclusivement chez le revendeur spécialisé STIHL.

Graissage du réducteur



Contrôler la charge de graisse du réducteur toutes les 25 heures de fonctionnement et, si nécessaire, faire l'appoint de graisse :

- Dévisser le bouchon fileté (1).
- Si aucune graisse n'est visible sur la face intérieure du bouchon fileté (1) : visser le tube (2) de graisse à réducteur STIHL (accessoire optionnel).
- Injecter au maximum 5 g (1/5 oz) de graisse du tube (2) dans le réducteur.



Ne pas remplir complètement le réducteur avec de la graisse à réducteur.

- Dévisser le tube (2).
- Visser et serrer le bouchon fileté (1).

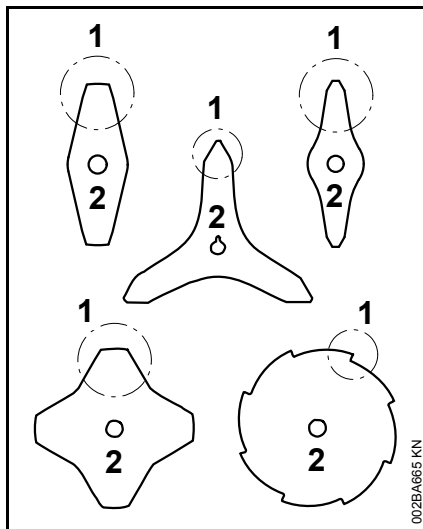
Rangement

Pour un arrêt de travail d'env. 30 jours ou plus,

- Vider et nettoyer le réservoir à carburant à un endroit bien aéré.
- Éliminer le carburant conformément à la législation et aux prescriptions pour la protection de l'environnement.
- Si la machine possède une pompe d'amorçage manuelle : appuyer au moins 5 fois sur le soufflet de la pompe d'amorçage manuelle.
- Mettre le moteur en route et laisser le moteur tourner au ralenti jusqu'à ce qu'il s'arrête.
- Enlever l'outil de coupe, le nettoyer et le contrôler. Traiter les outils de coupe métalliques avec de l'huile de protection.
- Nettoyer soigneusement la machine.
- Nettoyer le filtre à air.
- Conserver la machine à un endroit sec et sûr – la ranger de telle sorte qu'elle ne puisse pas être utilisée sans autorisation (par ex. par des enfants).

Affûtage des outils de coupe métalliques

- En cas d'usure minime, réaffûter les outils de coupe avec une lime d'affûtage (accessoire optionnel) – en cas d'usure prononcée ou d'ébréchure, les réaffûter avec une affûteuse ou les faire réaffûter par le revendeur spécialisé – STIHL recommande de s'adresser au revendeur spécialisé STIHL ;
- affûter assez souvent, mais en enlevant peu de matière : pour un simple réaffûtage, il suffit généralement de donner deux ou trois coups de lime ;



- affûter uniformément les lames (1) du couteau – ne pas modifier le contour du corps de l'outil (2).

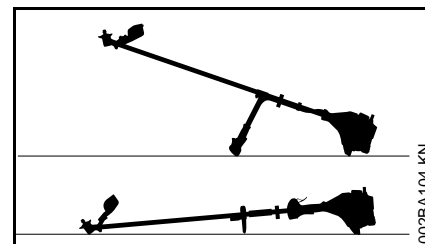
D'autres instructions à suivre pour l'affûtage sont imprimées sur l'emballage de l'outil de coupe. C'est pourquoi il faut conserver précieusement l'emballage.

Équilibrage

- Après le 5^e réaffûtage, environ, contrôler le balourd avec l'équilibreuse STIHL (accessoire optionnel) – au besoin, rééquilibrer l'outil de coupe ou le faire rééquilibrer par le revendeur spécialisé – STIHL recommande de s'adresser au revendeur spécialisé STIHL.

Entretien de la tête faucheuse

Pose de la machine sur le sol



- Arrêter le moteur ;
- poser la machine de telle sorte que la prise pour outil de coupe soit orientée vers le haut.

Remplacement du fil de coupe

Avant de remplacer le fil de coupe, il faut impérativement vérifier si la tête faucheuse n'est pas usée.

! AVERTISSEMENT

Si l'on constate des traces d'usure prononcées, il faut remplacer la tête faucheuse complète.

Ci-après, le fil de coupe est simplement appelé « fil ».

La tête faucheuse est livrée avec un folio illustré montrant la procédure à suivre pour le remplacement des fils. C'est pourquoi il faut précieusement conserver ces instructions spécifiques à cette tête faucheuse.

- Au besoin, démonter la tête faucheuse.

Ajustage du fil de coupe

STIHL SuperCut

Le fil de coupe est débité automatiquement au cours des travaux de fauchage à condition que la longueur de fil qui dépasse encore atteigne **au moins 6 cm (2,5 po)** – et, s'il devient trop long, il est rogné à la longueur optimale par le couteau monté sur le capot protecteur.

STIHL AutoCut

- Le moteur étant en marche, tenir la machine au-dessus d'une surface de gazon – la tête faucheuse doit tourner ;
- frapper la tête faucheuse sur le sol – la bobine débite une certaine longueur de fil de coupe et l'extrémité du fil est rognée à la longueur correcte par le couteau monté sur le capot protecteur.

Chaque fois que l'on frappe la tête faucheuse sur le sol, cela fait débiter une certaine longueur de fil. C'est pourquoi il faut surveiller le rendement de coupe de la tête faucheuse au cours du travail. Si l'on frappe trop souvent la tête faucheuse sur le sol, des morceaux de fil sont inutilement rognés par le couteau.

La sortie automatique du fil n'est toutefois possible que si les deux extrémités du fil qui dépassent encore atteignent une longueur minimale de **2,5 cm (1 po)**.

STIHL TrimCut

AVERTISSEMENT

Pour réajuster manuellement la longueur du fil, il faut impérativement arrêter le moteur – **risque de blessure !**

- Tirer le boîtier de la bobine vers le haut – tourner dans le sens inverse des aiguilles d'une montre – exécuter env. 1/6 de tour – jusqu'à la position d'encliquetage – puis le laisser revenir sous l'effet du ressort ;
- tirer sur les extrémités du fil pour les faire sortir.

Répéter cette procédure, au besoin, jusqu'à ce que les deux extrémités du fil de coupe atteignent le couteau monté sur le capot protecteur.

Un mouvement de rotation, d'un cran d'encliquetage à l'autre, débite env. **4 cm (1,5 po)** de fil.

Remplacement du fil de coupe

STIHL PolyCut

À la place des couteaux, sur la tête faucheuse PolyCut, on peut aussi accrocher un brin de fil coupé à la longueur requise.

STIHL DuroCut, STIHL PolyCut

AVERTISSEMENT

Pour recharger la tête faucheuse à la main, il faut impérativement arrêter le moteur – **risque de blessure !**

- Monter des brins de fil de la longueur requise sur la tête faucheuse, comme décrit sur le folio joint.

Remplacement des couteaux

STIHL PolyCut

Avant de remplacer les couteaux de la tête faucheuse, il faut impérativement vérifier si la tête faucheuse n'est pas usée.

AVERTISSEMENT

Si l'on constate des traces d'usure prononcées, il faut remplacer la tête faucheuse complète.

Ci-après, les couteaux de la tête faucheuse sont simplement appelés « couteaux ».

La tête faucheuse est livrée avec un folio illustré montrant la procédure à suivre pour le remplacement des couteaux. C'est pourquoi il faut précieusement conserver ces instructions spécifiques à cette tête faucheuse.

AVERTISSEMENT

Pour recharger la tête faucheuse à la main, il faut impérativement arrêter le moteur – **risque de blessure !**

- Démontez la tête faucheuse ;
- remplacez les couteaux comme indiqué sur la notice illustrée ;
- remontez la tête faucheuse.

Instructions pour la maintenance et l'entretien

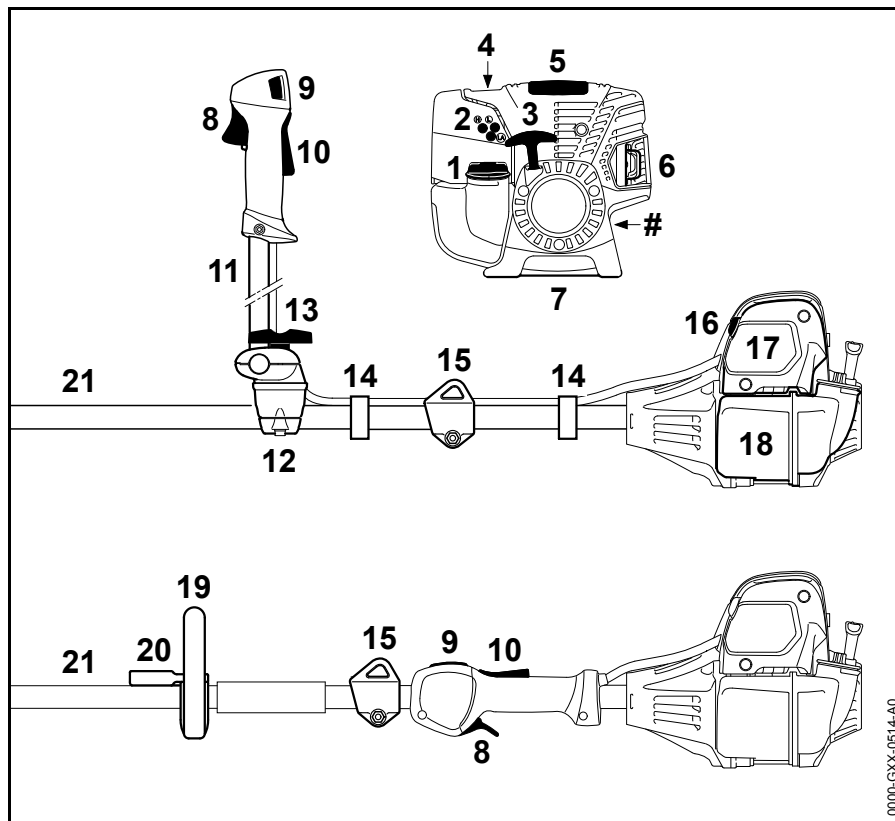
Les indications se rapportent à des conditions d'utilisation normales. Sous des conditions difficiles (production de poussière importante, etc.), et si les temps de travail quotidiens sont plus longs, il faut raccourcir en conséquence les intervalles indiqués.		avant de commencer le travail	à la fin du travail ou quotidiennement	après chaque remplissage du réservoir	chaque semaine	mensuellement	annuellement	en cas de défaut	en cas de dommage	selon besoin
Machine complète	Contrôle visuel (état, étanchéité)	X		X						
	Nettoyage		X							
	Remplacement des pièces endommagées	X							X	
Poignée de commande	Contrôle du fonctionnement	X		X						
Filtre à air	Inspection visuelle					X		X		
	Remplacement ²⁾								X	
Pompe à essence manuelle (selon le cas)	Vérification	X								
	Réparation par le distributeur ¹⁾								X	
Tête d'aspiration dans le réservoir de carburant	Contrôle par le distributeur ¹⁾							X		
	Remplacement par le distributeur ¹⁾					X			X	X
Réservoir de carburant	Nettoyage							X		X
Carburateur	Vérifier la marche au ralenti, l'outil de coupe ne doit pas tourner	X		X						
	Régler la vitesse de ralenti									X
Bougie	Régler l'espacement des électrodes							X		
	Remplacer toutes les 100 heures de fonctionnement									
Ouvertures d'aspiration pour l'air de refroidissement	Inspection visuelle		X							
	Nettoyage									X
Ailettes du cylindre	Nettoyage par le revendeur spécialisé ¹⁾						X			
Jeu de soupape	En cas de performances insuffisantes ou de forces de démarrage fortement accrues, Vérifier le jeu des soupapes et le Régler si nécessaire par un revendeur spécialisé ¹⁾									X

Les indications se rapportent à des conditions d'utilisation normales. Sous des conditions difficiles (production de poussière importante, etc.), et si les temps de travail quotidiens sont plus longs, il faut raccourcir en conséquence les intervalles indiqués.		avant de commencer le travail	à la fin du travail ou quotidiennement	après chaque remplissage du réservoir	chaque semaine	mensuellement	annuellement	en cas de défaut	en cas de dommage	selon besoin
Grille pare-étincelles du silencieux	S'assurer qu'elle est montée	X								
	Contrôle ou remplacement ¹⁾					X				
Vis et écrous accessibles (sauf vis de réglage)	Resserrer									X
	Vérification	X						X		X
Éléments anti-vibration (tampons en caoutchouc, ressorts)	Remplacement par le distributeur ¹⁾								X	
	Inspection visuelle	X		X						
Outil de coupe	Remplacement								X	
	Vérifier le serrage	X		X						
	Affûtage	X								X
Lubrification des engrenages	Vérification				X					
	Ajouter									X
Étiquette de sécurité	Remplacement								X	

¹⁾ STIHL recommande de contacter un distributeur STIHL.

²⁾ Seulement en cas de baisse perceptible de la puissance du moteur

Principales pièces



0000_G3XX_0514-A0

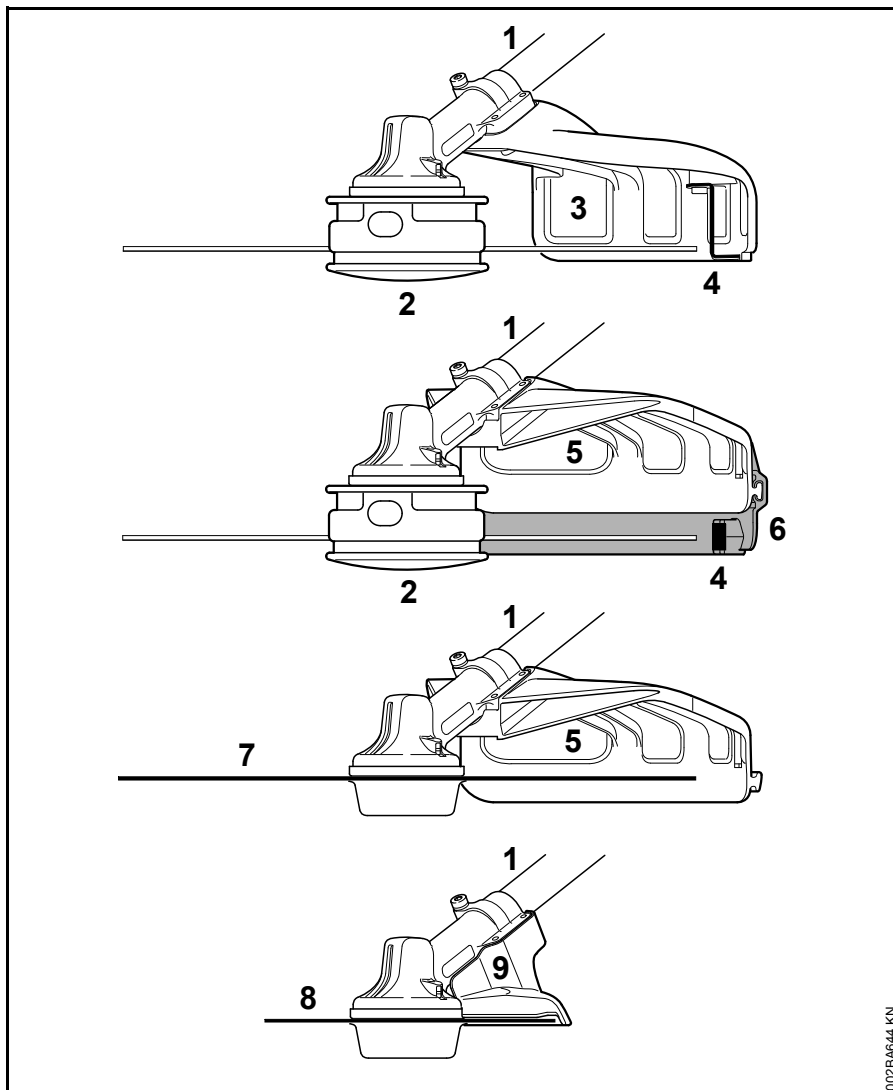
- 1 Bouchon du réservoir à carburant
- 2 Vis de réglage du carburateur
- 3 Poignée de lancement
- 4 Pompe d'amorçage manuelle
- 5 Recouvrement
- 6 Silencieux avec grille pare-étincelles
- 7 Patte d'appui de la machine
- 8 Gâchette d'accélérateur
- 9 Bouton d'arrêt
- 10 Blocage de gâchette d'accélérateur
- 11 Guidon
- 12 Support de guidon
- 13 Vis à garrot
- 14 Attache de câble de commande des gaz
- 15 Anneau de suspension
- 16 Bouton du volet de starter
- 17 Couvercle du filtre à air
- 18 Réservoir à carburant
- 19 Poignée circulaire
- 20 Protection
- 21 Tube
- # Numéro de série

Définitions

- 1 Bouchon du réservoir à carburant**
Pour fermer le réservoir à carburant.
- 2 Vis de réglage du carburateur**
Pour le réglage du carburateur.
- 3 Poignée de lancement**
La poignée du dispositif de lancement qui sert à la mise en route du moteur.
- 4 Pompe d'amorçage manuelle**
Assure une alimentation en carburant supplémentaire pour le démarrage à froid.
- 5 Recouvrement**
Recouvre et protège la bougie.
- 6 Silencieux avec grille pare-étincelles**
Le silencieux atténue les bruits d'échappement du moteur et dirige les gaz d'échappement dans le sens opposé à l'utilisateur. La grille pare-étincelles sert à réduire le risque d'incendie.
- 7 Patte d'appui de la machine**
Pour immobiliser la machine lorsqu'elle est posée sur le sol.
- 8 Gâchette d'accélérateur**
Contrôle le régime du moteur.
- 9. Bouton d'arrêt**
Le bouton d'arrêt coupe le circuit du système d'allumage du moteur et arrête le moteur.
- 10 Blocage de gâchette d'accélérateur**
Il faut l'enfoncer pour pouvoir actionner la gâchette d'accélérateur.

- 11 Guidon**
Pour manier facilement la machine à deux mains, au cours du travail.
- 12 Support de guidon**
Assemble le tube de protection et le guidon.
- 13 Vis à garrot**
Immobilise le guidon dans la position choisie.
- 14 Attache de câble de commande des gaz**
Fixe le câble de commande des gaz sur le tube.
- 15 Anneau de suspension**
Pour attacher la débroussailleuse au harnais.
- 16 Bouton du volet de starter**
Facilite le démarrage du moteur par un enrichissement du mélange carburé.
- 17 Couvercle du filtre à air**
Recouvre et protège l'élément filtrant du filtre à air.
- 18 Réservoir à carburant**
Pour le mélange d'essence et d'huile.
- 19 Poignée circulaire**
Pour le guidage facile de la machine, pour travailler en sécurité avec l'outil de coupe.
- 20 Protection**
Pour garder la distance de sécurité entre l'outil de coupe et les pieds et jambes de l'utilisateur.

- 21 Tube**
Renferme et protège l'arbre d'entraînement entre le moteur et le réducteur.



- 1 Tube
- 2 Tête faucheuse
- 3 Capot protecteur exclusivement pour têtes faucheuses
- 4 Couteau rogneur
- 5 Capot protecteur pour tous les outils de fauchage
- 6 Tablier pour têtes faucheuses
- 7 Outil de fauchage métallique
- 8 Scie circulaire
- 9 Butée exclusivement pour scie circulaire

0025A644 KN

Définitions

- 1 Tube**
Renferme et protège le demi-arbre d'entraînement entre le manchon d'accouplement et le réducteur.
- 2 Tête faucheuse**
L'outil de coupe, par ex. une tête faucheuse pour différentes utilisations.
- 3 Capot protecteur exclusivement pour têtes faucheuses**
Réduit le risque d'être blessé par des corps étrangers projetés en arrière, vers l'utilisateur, par l'outil de coupe, ou par suite d'un contact avec l'outil de coupe.
- 4 Couteau rogneur**
Couteau métallique fixé sur le capot protecteur pour rogner le fil de coupe de la tête faucheuse à la longueur correcte.
- 5 Capot protecteur pour tous les outils de fauchage**
Réduit le risque d'être blessé par des corps étrangers projetés en arrière, vers l'utilisateur, par l'outil de coupe, ou par suite d'un contact avec l'outil de coupe.
- 6 Tablier pour têtes faucheuses**
Tablier fixé au bas du capot protecteur à utiliser pour travailler avec des têtes faucheuses.
- 7 Outil de coupe métallique**
L'outil de coupe, par ex. un couteau, pour différentes utilisations.
- 8 Scie circulaire**
Outil de coupe métallique, pour couper du bois.

9 Butée exclusivement pour scie circulaire

La butée permet d'appliquer la machine contre le bois, dans une position fiable, pour réduire le risque de blessure par suite d'une perte de contrôle sous l'effet de forces de réaction telles qu'un rebond.

Caractéristiques techniques

EPA / CEPA

L'étiquette d'homologation relative aux émissions de nuisances à l'échappement indique le nombre d'heures de fonctionnement durant lequel ce moteur satisfait aux exigences des normes antipollution fédérales.

Catégorie

A = 300 heures

B = 125 heures

C = 50 heures

Moteur

Moteur monocylindre à quatre temps avec lubrification du mélange

Cylindrée :	36,3cm ³
Alésage de cylindre :	43 mm
Course de piston :	25 mm
Puissance du moteur selon ISO 8893 :	1,4 kW (1,9 hp) à 8500 1/min
Vitesse de ralenti :	2800 tr/min
Vitesse de coupe (valeur nominale) :	9500 tr/min
Vitesse maximale de l'arbre de sortie (outil de coupe) :	7150 tr/min
Jeu de soupapes	
Soupape d'entrée :	0,10 mm
Soupape d'échappement :	0,10 mm

Système d'allumage

Allumage magnéto électronique

Bougie d'allumage (supprimé) : NGK CMR 6 H,
STIHL ZK C 10,
BOSCH USR 4A
C

Distance entre élec-
trodes : 0,5 mm

Ce système d'allumage par étincelle répond à toutes les exigences de la norme canadienne sur le matériel brouilleur CAN ICES-2/NMB-2.

Système d'alimentation en carburant

Carburateur à diaphragme toutes positions avec pompe à carburant intégrée

Capacité du réservoir de carburant : 710 cm³ (0,71 l)

Poids

Sec, sans outil de coupe et sans capot protecteur

FS 131: 5,8 kg

FS 131 R: 5,5 kg

Longueur totale

sans outil de coupe : 1800 mm

Caractéristiques du matériel

R Poignée tubulaire

Z Écran pare-étincelles dans le silencieux


Instructions pour les réparations

L'utilisateur de ce dispositif est autorisé à effectuer uniquement les opérations de maintenance et les réparations décrites dans la présente Notice d'emploi. Les réparations plus poussées ne doivent être effectuées que par le revendeur spécialisé.

STIHL recommande de faire effectuer les opérations de maintenance et les réparations exclusivement chez le revendeur spécialisé STIHL. Les revendeurs spécialisés STIHL participent régulièrement à des stages de perfectionnement et ont à leur disposition les informations techniques requises.

Pour les réparations, monter exclusivement des pièces de rechange autorisées par STIHL pour ce dispositif ou des pièces similaires du point de vue technique. Utiliser exclusivement des pièces de rechange de haute qualité. Sinon, des accidents pourraient survenir et le dispositif risquerait d'être endommagé.

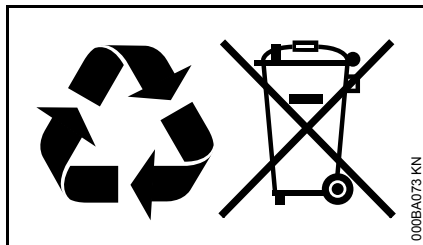
STIHL recommande d'utiliser des pièces de rechange d'origine STIHL.

Les pièces de rechange d'origine STIHL sont reconnaissables à leur référence de pièce de rechange STIHL, au nom **STIHL** et, le cas échéant, au symbole d'identification des pièces de rechange STIHL  (les petites pièces ne portent parfois que ce symbole).

Mise au rebut

Pour obtenir de plus amples informations concernant la mise au rebut, consulter les services publics locaux ou un revendeur spécialisé STIHL.

Si l'on ne respecte pas la réglementation pour la mise au rebut, cela risque de nuire à la santé et à l'environnement.



- Remettre les produits STIHL, y compris l'emballage, à une station de collecte et de recyclage, conformément aux prescriptions locales.
- Ne pas les jeter avec les ordures ménagères.

Garantie de la Société STIHL Limited relative au système antipollution

Cette déclaration est fournie volontairement et elle se base sur l'accord conclu en avril 1999 entre l'Office de l'Environnement du Canada et STIHL Limited.

Vos droits et obligations dans le cadre de la garantie

STIHL Limited expose ici la garantie relative au système antipollution du moteur de votre type de moteur. Au Canada, sur le plan construction et équipement, les moteurs neufs de petits dispositifs à moteur non-routiers, du millésime 1999 ou d'un millésime ultérieur, doivent, au moment de la vente, être conformes aux dispositions U.S. EPA pour petits moteurs qui ne sont pas destinés à des véhicules routiers. Le moteur du dispositif doit être exempt de vices de matériaux et de fabrication qui entraîneraient une non-conformité avec les dispositions U.S. EPA au cours des deux premières années de service du moteur, à dater de la vente au consommateur final.

Pour la période ci-dessus, STIHL Limited doit assumer la garantie sur le système antipollution du moteur de votre petit dispositif non-routier, à condition que votre moteur n'ait pas été utilisé de façon inadéquate et que sa maintenance n'ait pas été négligée ou incorrectement effectuée.

Votre système antipollution peut comprendre aussi des pièces telles que le carburateur ou le système d'injection de carburant, l'allumage et le catalyseur. Il peut aussi englober des flexibles,

courroies, raccords et autres composants influant sur les émissions de nuisances.

Dans un cas de garantie, STIHL Limited devra réparer le moteur de votre dispositif non-routier et ce, gratuitement pour vous. La garantie englobe le diagnostic (s'il est exécuté par un revendeur autorisé) ainsi que les pièces et la main-d'œuvre.

Durée de la garantie du fabricant

Au Canada, les moteurs de petits dispositifs à moteur non-routiers, du millésime 1999 ou d'un millésime ultérieur, bénéficient d'une garantie de deux ans. Si une pièce du système antipollution du moteur de votre dispositif s'avère défectueuse, elle est réparée ou remplacée gratuitement par STIHL Limited.

Obligations du propriétaire :

En tant que propriétaire du moteur du petit dispositif à moteur non-routier, vous êtes responsable de l'exécution de la maintenance indispensable prescrite dans la notice d'emploi de votre dispositif. STIHL Limited recommande de conserver toutes les quittances des opérations de maintenance exécutées sur le moteur de votre dispositif non-routier. STIHL Limited ne peut toutefois pas vous refuser une garantie sur votre moteur pour la seule raison que des quittances manqueraient ou que vous auriez négligé d'assurer l'exécution de toutes les opérations de maintenance prévues.

Pour la maintenance ou les réparations qui ne sont pas effectuées sous garantie, il est permis d'employer des pièces de rechange ou des méthodes de

travail assurant une exécution et une longévité équivalant à celles de l'équipement de première monte et ce, sans que cela réduise, pour le fabricant du moteur, l'obligation de fournir une garantie.

En tant que propriétaire du petit dispositif à moteur non-routier, vous devez toutefois savoir que STIHL Limited peut vous refuser la garantie si le moteur ou une partie du moteur de votre dispositif tombe en panne par suite d'une utilisation inadéquate, d'un manque de précaution, d'une maintenance incorrecte ou de modifications non autorisées.

Vous êtes tenu d'amener le moteur de votre petit dispositif à moteur non-routier à un centre de Service Après-Vente STIHL dès qu'un problème survient. Les travaux sous garantie seront exécutés dans un délai raisonnable qui ne devra pas dépasser 30 jours.

Si vous avez des questions concernant vos droits et obligations dans le cadre de la garantie, veuillez consulter un conseiller du Service Après-Vente STIHL (www.stihl.ca)

ou écrire à :

STIHL Ltd.,
1515 Sise Road
Box 5666
CA-LONDON ONTARIO ; N6A 4L6

Étendue de la garantie fournie par STIHL Limited

STIHL Limited garantit à l'acheteur final, et à tout acquéreur ultérieur, que le moteur de votre petit dispositif non-routier satisfait à toutes les prescriptions en vigueur au moment de la vente, sur le plan construction, fabrication et

équipement. STIHL Limited garantit en outre au premier acquéreur et à tous les acquéreurs ultérieurs, pour une période de deux ans, que votre moteur est exempt de tout vice de matériaux et de tout vice de fabrication entraînant une non-conformité avec les prescriptions en vigueur.

Période de garantie

La période de garantie commence le jour où le premier acheteur fait l'acquisition du moteur du dispositif et où vous avez retourné à STIHL Ltd. la carte de garantie portant votre signature. Si une pièce faisant partie du système antipollution de votre dispositif est défectueuse, la pièce est remplacée gratuitement par STIHL Limited. Durant la période de garantie, une garantie est fournie pour toute pièce sous garantie qui ne doit pas être remplacée à l'occasion d'une opération de maintenance prescrite ou pour laquelle « la réparation ou le remplacement, si nécessaire » n'est prévu qu'à l'occasion de l'inspection périodique. Pour toute pièce sous garantie qui doit être remplacée dans le cadre d'une opération de maintenance prescrite, la garantie est fournie pour la période qui précède le premier remplacement prévu.

Diagnostic

Les coûts occasionnés pour le diagnostic ne sont pas facturés au propriétaire, si ce diagnostic confirme qu'une pièce sous garantie est défectueuse. Si, par contre, vous revendiquez un droit à la garantie pour une pièce et qu'une défectuosité n'est pas constatée au diagnostic, STIHL Limited vous facturera les coûts du test

des émissions de nuisances. Le diagnostic de la partie mécanique doit être exécuté par un revendeur spécialisé STIHL. Le test des émissions de nuisances peut être exécuté soit par

STIHL Incorporated,
536 Viking Drive, P.O. Box 2015,
Virginia Beach, VA 23452,

soit par un laboratoire indépendant.

Travaux sous garantie

STIHL Limited doit faire éliminer les défauts sous garantie par un revendeur spécialisé STIHL ou par une station de garantie. Tous les travaux seront effectués sans facturation au propriétaire, si l'on constate qu'une pièce sous garantie est effectivement défectueuse. Toute pièce autorisée par le fabricant ou pièce de rechange équivalente peut être utilisée pour toute opération de maintenance ou réparation sous garantie touchant une pièce du système antipollution et elle doit être mise gratuitement à la disposition du propriétaire, si la pièce en question est encore sous garantie. STIHL Limited assume la responsabilité de dommages causés à d'autres composants du moteur par la pièce encore couverte par la garantie.

La liste suivante précise les pièces couvertes par la garantie antipollution :

- Filtre à air
- Carburateur (le cas échéant)
- Pompe d'amorçage manuelle
- Starter (système d'enrichissement de démarrage à froid) (le cas échéant)
- Tringleries de commande

- Coude d'admission
- Volant magnétique ou allumage électronique (module d'allumage ou boîtier électronique)
- Rotor
- Bougie
- Injecteur (le cas échéant)
- Pompe d'injection (le cas échéant)
- Boîtier de papillon (le cas échéant)
- Cylindre
- Silencieux
- Catalyseur (le cas échéant)
- Réservoir à carburant
- Bouchon du réservoir à carburant
- Conduit de carburant
- Raccords du conduit de carburant
- Colliers
- Pièces de fixation

Pour faire valoir un droit à la garantie

Présenter le dispositif à un revendeur spécialisé STIHL, avec la carte de garantie signée.

Prescriptions de maintenance

Les prescriptions de maintenance qui figurent dans la présente Notice d'emploi présument que l'on utilise le mélange d'essence et d'huile prescrit pour moteur deux-temps (voir aussi chapitre « Carburant »). En cas d'utilisation de carburants et d'huiles d'autre qualité ou d'un taux de mélange différent, il peut être nécessaire de raccourcir les intervalles de maintenance.

Restrictions

Cette garantie sur le système antipollution ne couvre pas :

1. les réparations et remplacements nécessaires par suite d'une utilisation inadéquate ou bien d'une négligence ou de l'omission des opérations de maintenance indispensables ;
2. les réparations exécutées incorrectement ou les remplacements effectués avec des pièces non conformes aux spécifications de STIHL Limited et ayant un effet défavorable sur le rendement et/ou la longévité, et les transformations ou modifications que STIHL Limited n'a ni recommandées, ni autorisées par écrit ;
3. le remplacement de pièces et d'autres prestations de services et réglages qui s'avèrent nécessaires dans le cadre des travaux de maintenance indispensables, à l'échéance du premier remplacement prévu, et par la suite.

0458-432-8221-A

CDN



www.stihl.com



0458-432-8221-A